

**STANDARD CONSTRUCTION**

MATERIAL:  
26 GAUGE ASTM A-653 HOT-DIPPED GALVANIZED  
STEEL SHEET

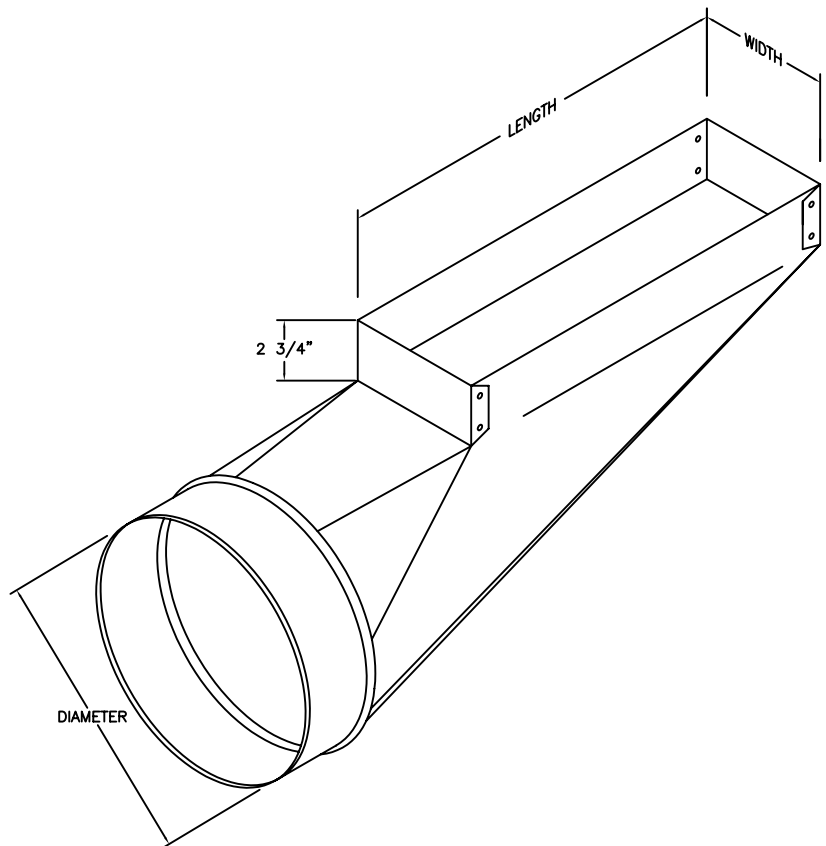
**STANDARD SIZES:**

MODEL	LENGTH	WIDTH	COLLAR	QTY
112R080404	8"	4"	4"	1
112R080405	8"	4"	5"	1
112R100405	10"	4"	5"	1
112R100406	10"	4"	6"	1
112R100605	10"	6"	5"	1
112R100606	10"	6"	6"	1
112R120405	12"	4"	5"	1
112R120406	12"	4"	6"	1
112R120606	12"	6"	6"	1
112R120608	12"	6"	8"	1
112R140406	14"	4"	6"	1
112R140408	14"	4"	8"	1
112R140610	14"	6"	8"	1

**FEATURES**

GALVANIZED STEEL PROVIDES EXCELLENT CORROSION  
RESISTANCE AND LONGEVITY.

OPTIONS: CUSTOM SIZES AVAILABLE.



JOB NAME:
LOCATION:
ARCHITECT:
ENGINEER:
CONTRACTOR:
CONTACT MIAMI TECH INC. FOR ADDITIONAL INFORMATION OR WITH SPECIAL REQUIREMENTS.
3611 NW 74TH ST MIAMI, FL 33147 PHONE: 305-693-7054 FAX: 305-693-6152
WEB: WWW.MIAMITECH.COM EMAIL: SALES@MIAMITECH.COM

**112R**
**CENTER-END REGISTER BOOT  
PRODUCT SPECIFICATIONS**

NOTE: ALL DRAWINGS SUBJECT TO CHANGE WITHOUT PRIOR NOTICE.

DRAWN BY: AV	DATE: 8/17/09	SCALE: NOT TO SCALE	DRAWING NO. 112R
CHECKED BY: IV	DATE: 8/17/09	REVISION 1	