

**STANDARD CONSTRUCTION**

MATERIAL:  
26 GAUGE ASTM A-653 HOT-DIPPED GALVANIZED  
STEEL SHEET

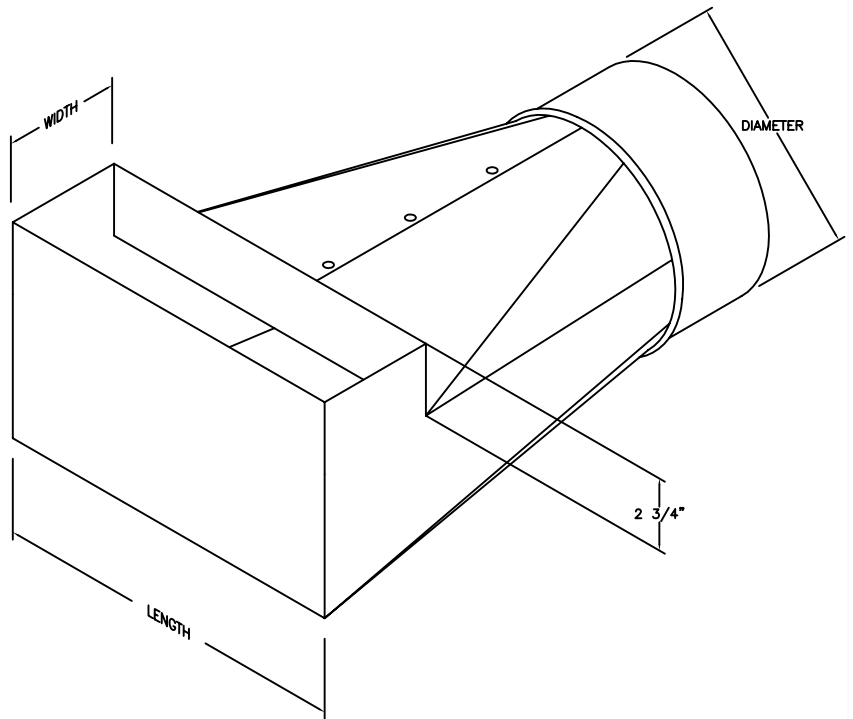
**STANDARD SIZES:**

MODEL	LENGTH	WIDTH	COLLAR	QTY
113R080404	8"	4"	4"	1
113R080405	8"	4"	5"	1
113R100405	10"	4"	5"	1
113R100406	10"	4"	6"	1
113R100605	10"	6"	5"	1
113R100606	10"	6"	6"	1
113R120405	12"	4"	5"	1
113R120406	12"	4"	6"	1
113R120606	12"	6"	6"	1
113R120608	12"	6"	8"	1
113R140406	14"	4"	6"	1
113R140408	14"	4"	8"	1
113R140610	14"	6"	8"	1

**FEATURES**

GALVANIZED STEEL PROVIDES EXCELLENT CORROSION  
RESISTANCE AND LONGEVITY.

OPTIONS: CUSTOM SIZES AVAILABLE.



JOB NAME:
LOCATION:
ARCHITECT:
ENGINEER:
CONTRACTOR:
<p>CONTACT MIAMI TECH INC. FOR ADDITIONAL INFORMATION OR WITH SPECIAL REQUIREMENTS.</p> <p>3611 NW 74TH ST MIAMI, FL 33147 PHONE: 305-693-7054 FAX: 305-693-6152</p> <p>WEB: WWW.MIAMITECH.COM EMAIL: SALES@MIAMITECH.COM</p>

**113R**
**90 DEGREE REGISTER BOOT  
PRODUCT SPECIFICATIONS**

NOTE: ALL DRAWINGS SUBJECT TO CHANGE WITHOUT PRIOR NOTICE.