



UNDERWRITERS LABORATORIES INC.  
555 CLASSIFIED  
PRIMARY FIRE DAMPER  
FILE NO. R10250

THE CITY OF NEW YORK 909-89-SM  
CALIFORNIA STATE FIRE MARSHALL 3225-1382:100

**PARTS:**

1. CURTAIN TYPE, INTERLOCKING BLADES  
(22 GAUGE ASTM A-653 HOT-DIPPED GALVANIZED STEEL SHEET)
2. UL LISTED FUSIBLE LINK  
(165°F STANDARD, 212°F OPTIONAL)
3. STAINLESS STEEL CLOSURE SPRING  
(ONLY NECESSARY FOR HORIZONTAL INSTALLATION)
4. FRAME  
(22 GAUGE ASTM A-653 HOT-DIPPED GALVANIZED STEEL SHEET)
5. CLOSURE SPRING MOUNTING BRACKET RAMP

**FEATURES:**

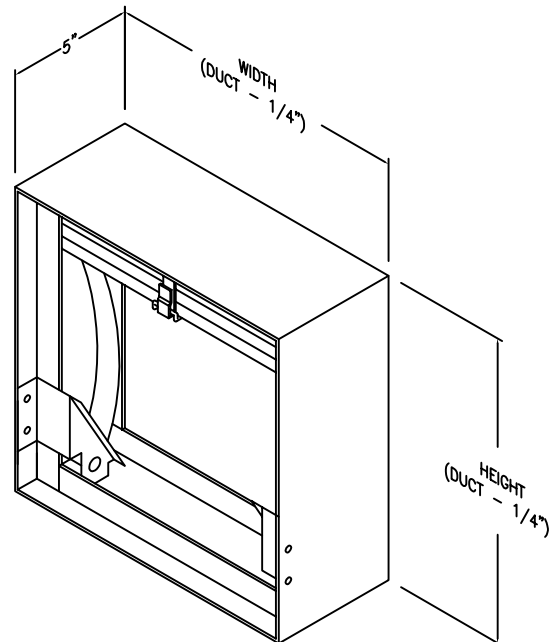
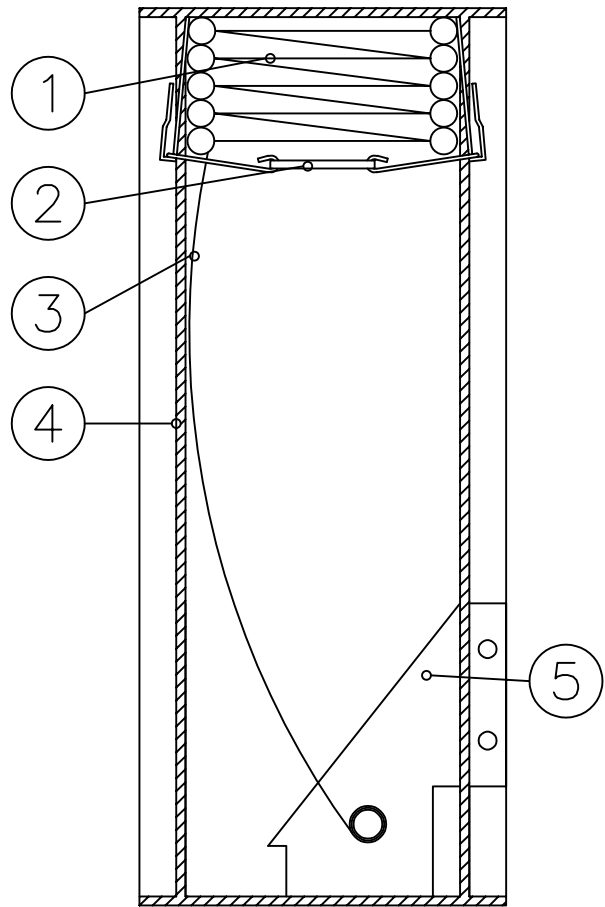
MEETS ALL UL AND NFPA REQUIREMENTS FOR PRIMARY FIRE DAMPERS. APPROVED FOR USE WHERE DUCTS PENETRATE PARTITIONS WITH FIRE RESISTANCE RATINGS OF TWO HOURS OR LESS.

1 1/2 HOUR RATING, FOR USE IN FIRE BARRIERS RATED FOR 2 HOURS OR LESS.

6" X 6" MINIMUM / 24" X 24" MAXIMUM UNIT DIMENSIONS,

OPTIONS: CUSTOM SIZES AVAILABLE

REFER TO SIZING CHART PG. 3 FOR PHYSICAL DIMENSIONS



JOB NAME:
LOCATION:
ARCHITECT:
ENGINEER:
CONTRACTOR:
CONTACT MIAMI TECH INC. FOR ADDITIONAL INFORMATION OR WITH SPECIAL REQUIREMENTS.
3611 NW 74TH ST MIAMI, FL 33147 PHONE: 305-693-7054 FAX: 305-693-6152
WEB: WWW.MIAMITECH.COM EMAIL: SALES@MIAMITECH.COM

**151A**

HORIZONTAL OR VERTICAL CURTAIN TYPE FIRE DAMPER  
1 1/2 HOURS, DYNAMICALLY RATED  
PRODUCT SPECIFICATIONS

NOTE: ALL DRAWINGS SUBJECT TO CHANGE WITHOUT PRIOR NOTICE.



DRAWN BY: AF	DATE: 11/12/07	SCALE: NOT TO SCALE	DRAWING NO. FD101-2A
CHECKED BY: IG	DATE: 11/12/07	REVISION: 1	