



UNDERWRITERS LABORATORIES INC.
555 CLASSIFIED
PRIMARY FIRE DAMPER
FILE NO. R10250

PARTS:

- 1. CURTAIN TYPE, INTERLOCKING BLADES
(22 GAUGE ASTM A-653 HOT-DIPPED GALVANIZED STEEL SHEET)
- 2. UL LISTED FUSIBLE LINK
(165°F STANDARD, 212°F OPTIONAL)
- 3. STAINLESS STEEL CLOSURE SPRING
- 4. FRAME
(22 GAUGE ASTM A-653 HOT-DIPPED GALVANIZED STEEL SHEET)
- 5. CLOSURE SPRING MOUNTING BRACKET RAMP
- 6. TRANSITION COLLAR
(22 GAUGE ASTM A-653 HOT-DIPPED GALVANIZED STEEL SHEET)

FEATURES:

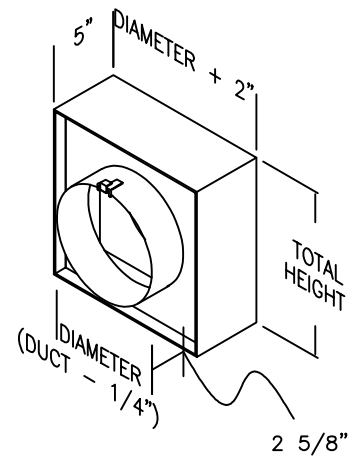
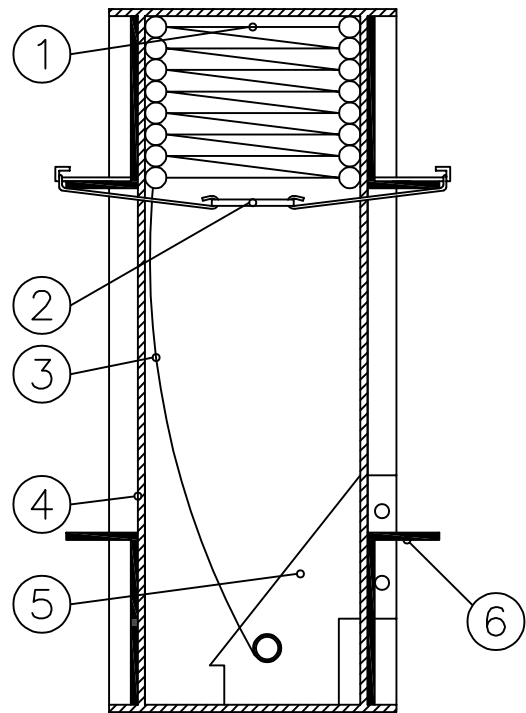
MEETS ALL UL AND NFPA REQUIREMENTS FOR PRIMARY FIRE DAMPERS. APPROVED FOR USE WHERE DUCTS PENETRATE PARTITIONS WITH FIRE RESISTANCE RATINGS OF TWO HOURS OR LESS.

1 1/2 HOUR RATING, FOR USE IN FIRE BARRIERS RATED FOR 2 HOURS OR LESS.

6" X 6" MINIMUM / 24" X 24" MAXIMUM UNIT DIMENSIONS,

OPTIONS: CUSTOM SIZES AVAILABLE

REFER TO SIZING CHART PG. 3 FOR PHYSICAL DIMENSIONS



151C

JOB NAME:
LOCATION:
ARCHITECT:
ENGINEER:
CONTRACTOR:
CONTACT MIAMI TECH INC. FOR ADDITIONAL INFORMATION OR WITH SPECIAL REQUIREMENTS. 3611 NW 74TH ST MIAMI, FL 33147 PHONE: 305-693-7054 FAX: 305-693-6152 WEB: WWW.MIAMITECH.COM EMAIL: SALES@MIAMITECH.COM

151C

VERTICAL CURTAIN TYPE FIRE DAMPER
HIGH PRESSURE, 1 1/2 HOURS, DYNAMICALLY RATED
PRODUCT SPECIFICATIONS

NOTE: ALL DRAWINGS SUBJECT TO CHANGE WITHOUT PRIOR NOTICE.



DRAWN BY: AF	DATE: 11/12/07	SCALE: NOT TO SCALE	DRAWING NO.
CHECKED BY: IG	DATE: 2/21/13	REVISION: 02	151C