



MIAMI-DADE COUNTY, FLORIDA
PRODUCT CONTROL SECTION
 11805 SW 26 Street, Room 208
 Miami, FL 33175
 T (786) 315-2590 F (786) 315-2599
www.miamidade.gov/economy

DEPARTMENT OF REGULATORY AND ECONOMIC RESOURCES (RER)
 BOARD AND CODE ADMINISTRATION DIVISION
NOTICE OF ACCEPTANCE (NOA)

Miami Tech, Inc.
3611 NW 74 Street
Miami, FL 33147

SCOPE:

This NOA is being issued under the applicable rules and regulations governing the use of construction materials. The documentation submitted has been reviewed and accepted by Miami-Dade County RER-Product Control Section to be used in Miami-Dade County and other areas where allowed by the Authority Having Jurisdiction (AHJ).

This NOA shall not be valid after the expiration date stated below. The Miami-Dade County Product Control Section (In Miami-Dade County) and/or the AHJ (in areas other than Miami-Dade County) reserve the right to have this product or material tested for quality assurance purposes. If this product or material fails to perform in the accepted manner, the manufacturer will incur the expense of such testing and the AHJ may immediately revoke, modify, or suspend the use of such product or material within their jurisdiction. RER reserves the right to revoke this acceptance if it is determined by Miami-Dade County Product Control Section that this product or material fails to meet the requirements of the applicable building code.

This product is approved as described herein and has been designed to comply with the Florida Building Code, including the High Velocity Hurricane Zone.

DESCRIPTION: Aluminum Stands for Mechanical Units

APPROVAL DOCUMENT: Drawing No. **23-63451**, titled “Aluminum Stands for Mechanical Units”, sheets 1 through 5 of 5, dated 06/20/2023, , prepared by Engineering Express, signed and sealed by Richard Neet, P.E on 03/07/2024, bearing the Miami-Dade County Product Control approval stamp with the Notice of Acceptance number & expiration date by Miami-Dade County Product Control Section.

MISSILE IMPACT RATING: None.

LABELING: Each unit shall bear a permanent label with the manufacturer's name or logo, city, state, model/series, and following statement: "Miami-Dade County Product Control Approved", unless otherwise noted herein.

RENEWAL of this NOA shall be considered after a renewal application has been filed and there has been no change in the applicable building code negatively affecting the performance of this product.

TERMINATION of this NOA will occur after the expiration date or if there has been a revision or change in the materials, use, and/or manufacture of the product or process. Misuse of this NOA as an endorsement of any product, for sales, advertising or any other purposes shall automatically terminate this NOA. Failure to comply with any section of this NOA shall be cause for termination and removal of NOA.

ADVERTISEMENT: The NOA number preceded by the words Miami-Dade County, Florida, and followed by the expiration date may be displayed in advertising literature. If any portion of the NOA is displayed, then it shall be done in its entirety.

INSPECTION: A copy of this entire NOA shall be provided to the user by the manufacturer or its distributors and shall be available for inspection at the job site at the request of the Building Official.

This NOA consists of this page 1 and evidence pages E-1, as well as approval document mentioned above. The submitted documentation was reviewed by **Carlos M. Utrera, P.E.**

04/09/24



NOA No. 24-0117.04
 Expiration Date: April 18, 2029
 Approval Date: April 18, 2024
 Page 1

NOTICE OF ACCEPTANCE: EVIDENCE SUBMITTED

A. DRAWINGS

1. Drawing No. **23-63451**, titled “Aluminum Stands for Mechanical Units”, sheets 1 through 5 of 5, dated 06/20/2023, , prepared by Engineering Express, signed and sealed by Richard Neet, P.E on 03/07/2024.

B. TESTS

1. None.

C. CALCULATIONS

1. Engineering design calculations, prepared by Engineering Express, dated 11/13/2023, signed and sealed by Richard Neet, P.E.

D. QUALITY ASSURANCE

1. Miami Dade Department of Regulatory and Economic Resources (RER).

E. MATERIAL CERTIFICATIONS

1. None.

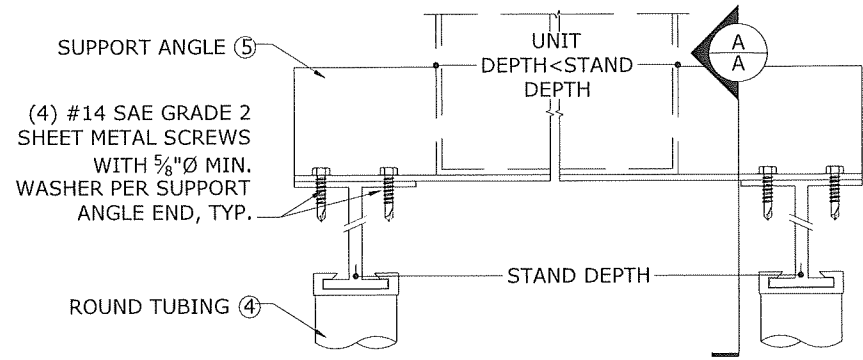
F. STATEMENTS

1. Statement letter of code conformance to the 8th edition (2023) of the FBC, issued by Engineering Express, dated 01/11/2024, signed & sealed by Richard Neet, P.E.
2. Statement letter of no financial interest, issued by Engineering Express, dated 01/11/2024, signed & sealed by Richard Neet, P.E.

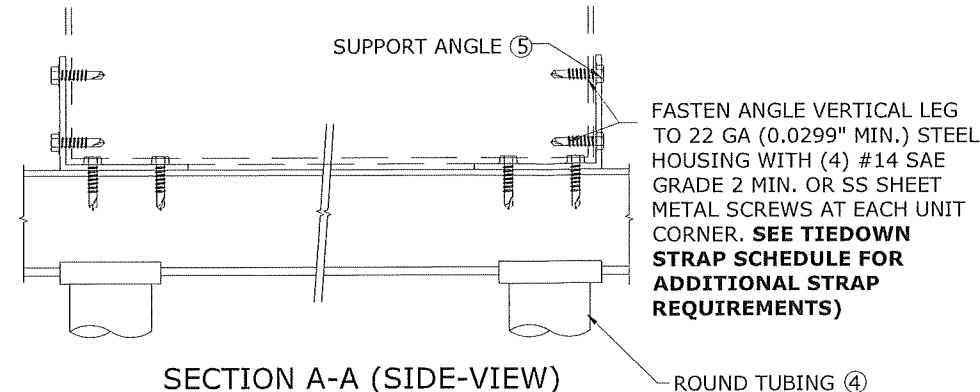


Carlos M. Utrera, P.E.
Product Control Examiner
NOA No. 24-0117.04
Expiration Date: April 18, 2029
Approval Date: April 18, 2024

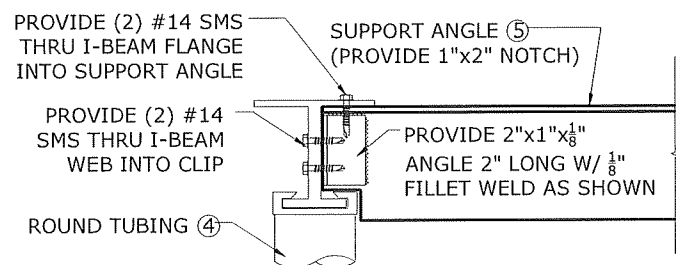
c:\users\rickn\engineering\express\production - documents\projects\23-123-63451 aluminum stand for mechanical units\work\2023 fbc\23-63451b alum stand for mech units (noa).dwg



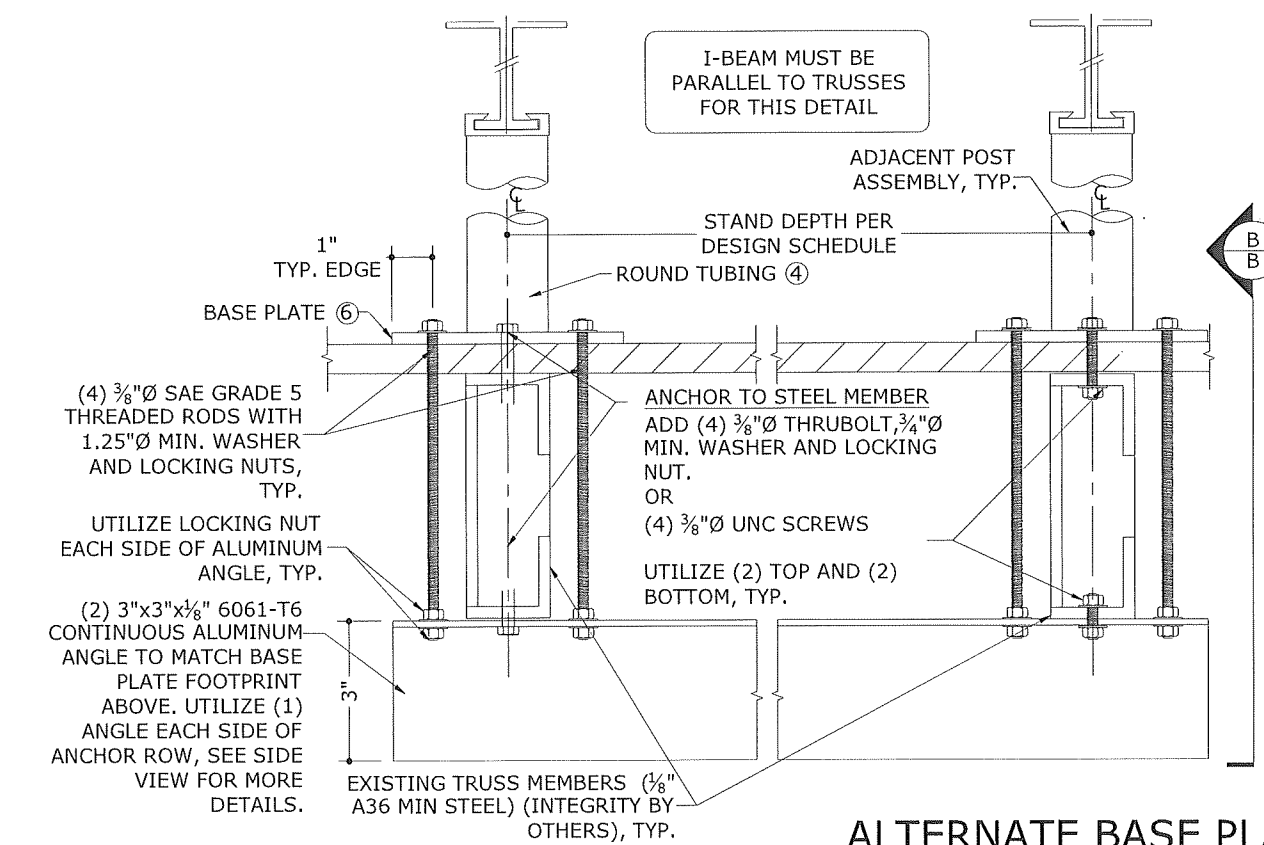
1A
SUPPORT ANGLE ATTACHMENT DETAIL
5 NTS



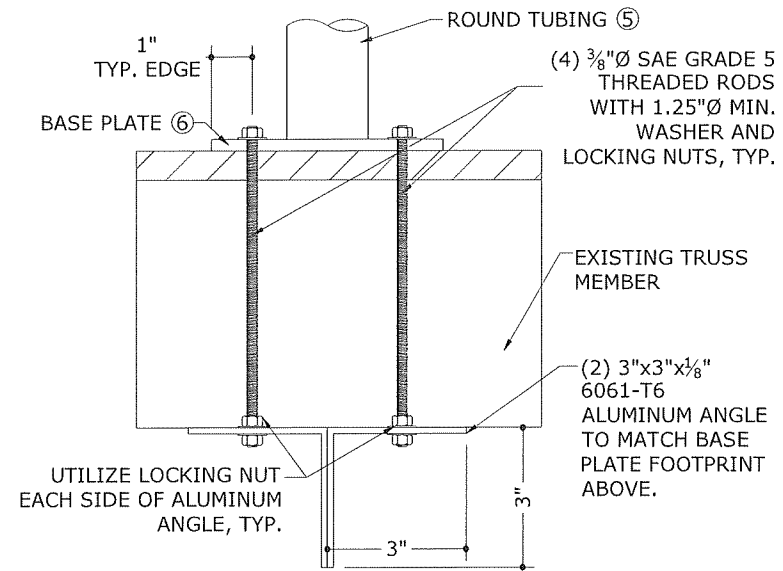
3
STANDARD BASE PLATE ATTACHMENT DETAIL
5 NTS



1B
SUPPORT ANGLE ATTACHMENT DETAIL
5 NTS



4
ALTERNATE BASE PLATE ATTACHMENT AT STEEL TRUSS MEMBERS
5 NTS



5
SECTION B-B (SIDE-VIEW)

PRODUCT APPROVED
as complying with the Florida Building Code
NOA-No. 24-0117.04
Approval Date 04/18/2024
By *[Signature]*
Miami-Dade Product Control

RICHARD NEET, P.E.
PE# 86488 CA# 9885

MARCH 7, 2024

[Signature]

FL

ANCHOR SCHEDULE

ANCHOR TYPE	HOST STRUCTURE	ANCHOR DESCRIPTION
1	STEEL	3/8"Ø SAE GRADE 5 SHEET METAL SCREWS WITH 1"Ø MIN. WASHER, TO STRUCTURAL A36 STEEL MEMBERS (3/16" MIN HOST THICKNESS)
2A	CONCRETE (3.0 KSI MIN)	3/8"Ø DEWALT CARBON STEEL SCREW-BOLT CONCRETE ANCHOR WITH 1"Ø MIN. WASHER, 2-1/2" EMBEDMENT & 6" MIN EDGE DISTANCE, SEE BASE PLATE COMPONENT #6 (ON SHEET 2) FOR TYPICAL ANCHOR SPACING.
2B	CONCRETE (5.0 KSI MIN)	1/2"Ø DEWALT MINI-DROPIN ANCHOR WITH 1.0" EMBEDMENT & 6" MIN EDGE DISTANCE, SEE BASE PLATE COMPONENT #6 (ON SHEET 2) FOR TYPICAL ANCHOR SPACING. NOTE: MAX ALLOWABLE PRESSURES LISTED IN THE STAND DESIGN SCHEDULE SHALL BE MULTIPLIED BY 0.8 WHEN USING THIS ANCHOR OPTION
3	WOOD*	*SEE DETAIL 4/4 OR SITE SPECIFIC ENGINEERING IS REQUIRED
4	STEEL	3/8"Ø SAE GRADE 5 THURBOLT WITH 1"Ø MIN. WASHER & NUT, TO STRUCTURAL A36 STEEL MEMBERS (3/16" MIN HOST THICKNESS)

ANCHOR NOTES:

- ANCHORS SHALL BE INSTALLED IN ACCORDANCE WITH MANUFACTURERS' RECOMMENDATIONS.
- ENSURE MINIMUM EDGE DISTANCE AS NOTED IN ANCHOR SCHEDULE FOR EACH ANCHOR.
- WOOD HOST STRUCTURE SHALL BE "SOUTHERN PINE" G=0.55 OR GREATER DENSITY. ALL CONCRETE SUBSTRATE SHALL BE UN-CRACKED CONCRETE AND SHALL HAVE MINIMUM COMPRESSIVE STRENGTH OF 3000 PSI, U.N.O. CONCRETE SUBSTRATE THICKNESS SHALL BE GREATER THAN OR EQUAL TO 1.5xANCHOR EMBEDMENT. INSTALL CONCRETE ANCHORS TO UN-CRACKED CONCRETE ONLY.
- MINIMUM EMBEDMENT SHALL BE AS NOTED IN ANCHOR SCHEDULE. MINIMUM EMBEDMENT AND EDGE DISTANCE EXCLUDES ROOFING FINISHES.
- WHERE EXISTING STRUCTURE IS WOOD TRUSSES, EXISTING CONDITIONS MAY VARY. FIELD VERIFY THAT FASTENERS ARE INTO ADEQUATE WOOD TRUSS MEMBERS, NOT INTO PLYWOOD.

ENGINEERING EXPRESS

POSTAL ADDRESS:
2234 NORTH FEDERAL HWY #7664
BOCA RATON, FL 33431
ENGINEERINGEXPRESS.COM

Miami Tech, Inc.
3611 NW 74th St
Miami, FL 33147
(305) 693-7054

Aluminum Stand for Mechanical Units
MIAMI DADE NOTICE OF ACCEPTANCE (NOA)
Florida Building Code

REMARKS	DATE	DRWN	CHKD
INIT ISSUE	6/20/2023	RN	RN

23-63451
SCALE: NTS UNLESS NOTED
OF 5
5