

STANDARD CONSTRUCTION
BODY:

4"-10" 28 GAUGE
 12"-20" 26 GAUGE
 ASTM A-653 HOT-DIPPED
 GALVANIZED STEEL

STANDARD SIZES:

DIAMETER	MODEL
4"	261L04
5"	261L05
6"	261L06
7"	261L07
8"	261L08
9"	261L09
10"	261L10
12"	261L12
14"	261L14
16"	261L16
18"	261L18
20"	261L20

DIAMETER	W/ SCOOP
4"	261Z04
5"	261Z05
6"	261Z06
7"	261Z07
8"	261Z08
9"	261Z09
10"	261Z10
12"	261Z12
14"	261Z14
16"	261Z16
18"	261Z18
20"	261Z20

DIAMETER	W/ DAMPER
4"	261D04
5"	261D05
6"	261D06
7"	261D07
8"	261D08
9"	261D09
10"	261D10
12"	261D12
14"	261D14
16"	261D16
18"	261D18
20"	261D20

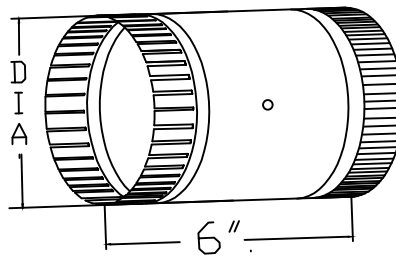
DIAMETER	W/ SCOOP AND DAMPER
4"	261ZD04
5"	261ZD05
6"	261ZD06
7"	261ZD07
8"	261ZD08
9"	261ZD09
10"	261ZD10
12"	261ZD12
14"	261ZD14
16"	261ZD16
18"	261ZD18
20"	261ZD20

FEATURES

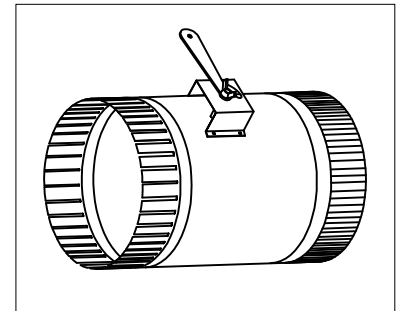
BODY MECHANICALLY FASTENED TOGETHER TO INSURE A RIGID ASSEMBLY.

OPTIONS:

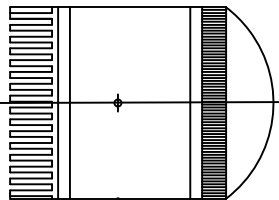
AVAILABLE WITH DAMPER (MODEL 261DXX)
 AVAILABLE WITH SCOOP (MODEL 261ZXX)
 AVAILABLE WITH SCOOP & DAMPER (MODEL 261ZDXX)
 CUSTOM SIZES AVAILABLE.
 2" STAND-OFF (ADD -SO TO PART NO.)



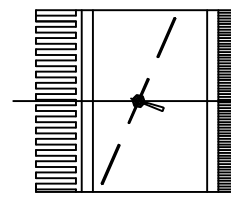
STAND-OFF OPTION
 Text



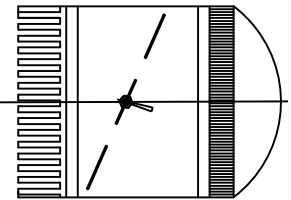
JOB NAME:
LOCATION:
ARCHITECT:
ENGINEER:
CONTRACTOR:
CONTACT MIAMI TECH INC. FOR ADDITIONAL INFORMATION OR WITH SPECIAL REQUIREMENTS.
3611 NW 74TH ST MIAMI, FL 33147 PHONE: 305-693-7054 FAX: 305-693-6152
WEB: WWW.MIAMITECH.COM EMAIL: SALES@MIAMITECH.COM



261Z04



261D04



261ZD04

**261L
 6"LONG STARTING COLLAR
 PRODUCT SPECIFICATIONS**

NOTE: ALL DRAWINGS SUBJECT TO CHANGE WITHOUT PRIOR NOTICE.

DRAWN BY: AF	DATE: 12/04/08	SCALE: NOT TO SCALE	DRAWING NO. 261L
CHECKED BY: IV	DATE: 12/04/08	REVISION: 01	