



STANDARD CONSTRUCTION

MATERIAL:

26 GAUGE ASTM A-653 HOT-DIPPED GALVANIZED STEEL SHEET

STANDARD SIZES:

MODEL	SIZE	BOX QTY.
ARJ04	4"	1
ARJ05	5"	1
ARJ06	6"	1
ARJ07	7"	1
ARJ08	8"	1
ARJ10	10"	1
ARJ12	12"	1
ARJ14	14"	1
ARJ16	16"	1
ARJ18	18"	1

PITCHES AVAILABLE:

A = 2.5" PER 12"

B = 3.0" PER 12"

C = 4.0" PER 12"

D = 5.0" PER 12"

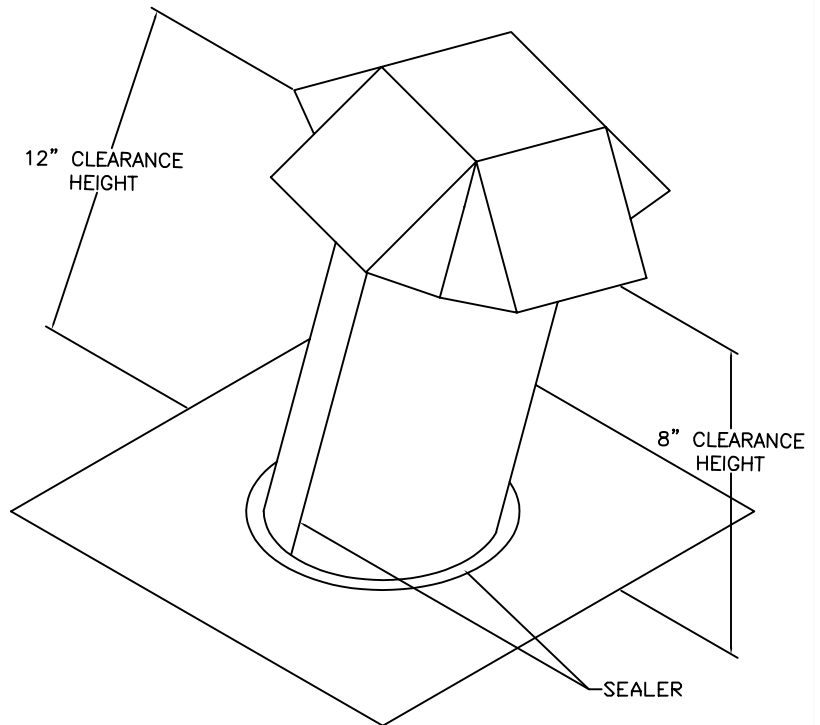
FEATURES:

GALVANIZED STEEL PROVIDES EXCELLENT CORROSION RESISTANCE AND LONGEVITY.

ACME LOCK CREATES A STRONG, RIGID BODY.

SEAMS SEALED.

INCLUDES A BIRD SCREEN.



JOB NAME:
LOCATION:
ARCHITECT:
ENGINEER:
CONTRACTOR:
CONTACT MIAMI TECH INC. FOR ADDITIONAL INFORMATION OR WITH SPECIAL REQUIREMENTS.
3611 NW 74TH ST MIAMI, FL 33147 PHONE: 305-693-7054 FAX: 305-693-6152
WEB: WWW.MIAMITECH.COM EMAIL: SALES@MIAMITECH.COM

DISCLAIMER:

1. MIAMI TECH DOES NOT GUARANTEE THESE ROOF JACKS TO BE LEAK-PROOF IN ALL WEATHER CONDITIONS.

2. MIAMI TECH DOES NOT GUARANTEE THESE ROOF JACKS TO PREVENT THE INTRUSION OF WATER FROM WIND BLOWN RAIN OR TORRENTIAL STORM CONDITIONS.

ARJ

**ANGLED ROOF JACK
PRODUCT SPECIFICATIONS**

NOTE: ALL DRAWINGS SUBJECT TO CHANGE WITHOUT PRIOR NOTICE.



DRAWN BY: AF	DATE: 10/16/07	SCALE: NOT TO SCALE	DRAWING NO. ARJ
CHECKED BY: IG	DATE: 9/29/09	REVISION: B	