

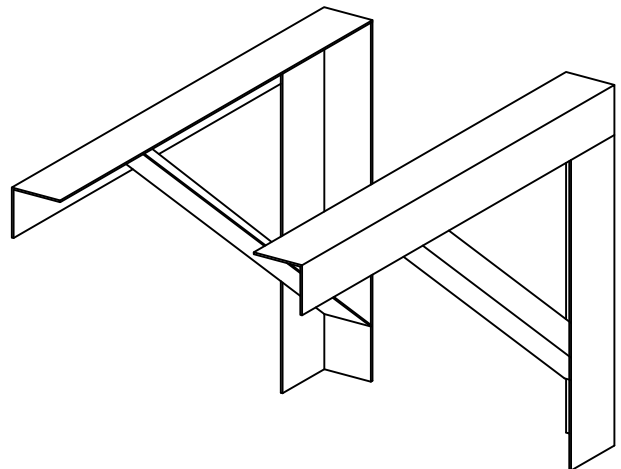
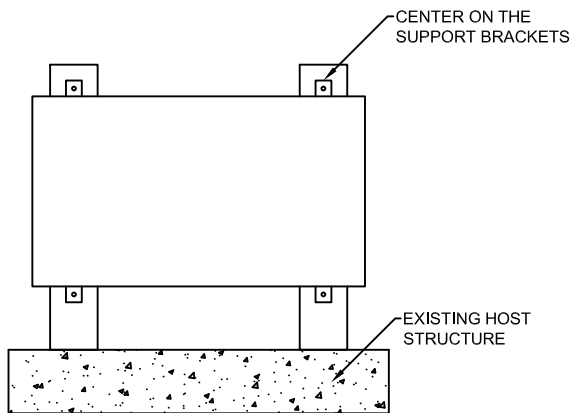
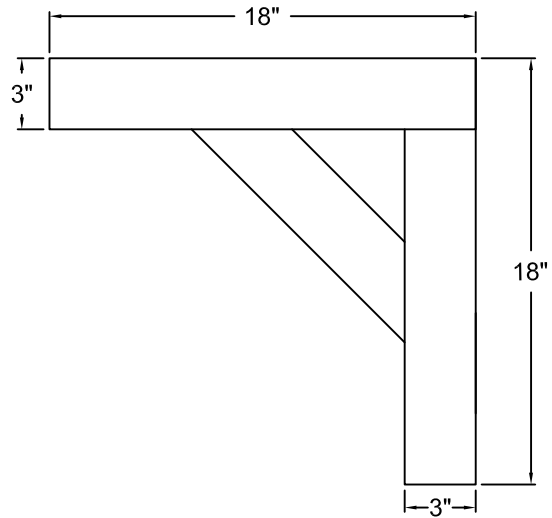
STANDARD CONSTRUCTION
MATERIAL:

6063 T6 Alloy Temper Aluminum
3" x 3" x 1/8" Aluminum Angle

FEATURES:

Aluminum Wall Bracket system for non-wind load requirement applications.

Designed for Mini Split installations.



Part No.	Description
AWB1818-NE	Aluminum Mini Split Wall Mount Bracket, 18" X 18"

AWB-NE

NON-RATED ALUMINUM MINI SPLIT WALL BRACKET
PRODUCT INFORMATION SHEET

NOTE: ALL DRAWINGS SUBJECT TO CHANGE WITHOUT PRIOR NOTICE.