



STANDARD CONSTRUCTION

MATERIAL:
ASTM A-653 HOT-DIPPED GALVANIZED STEEL SHEET

STANDARD SIZES:

PART NO.	GAUGE
BR-26	26
BR-24	24
BR-22	22

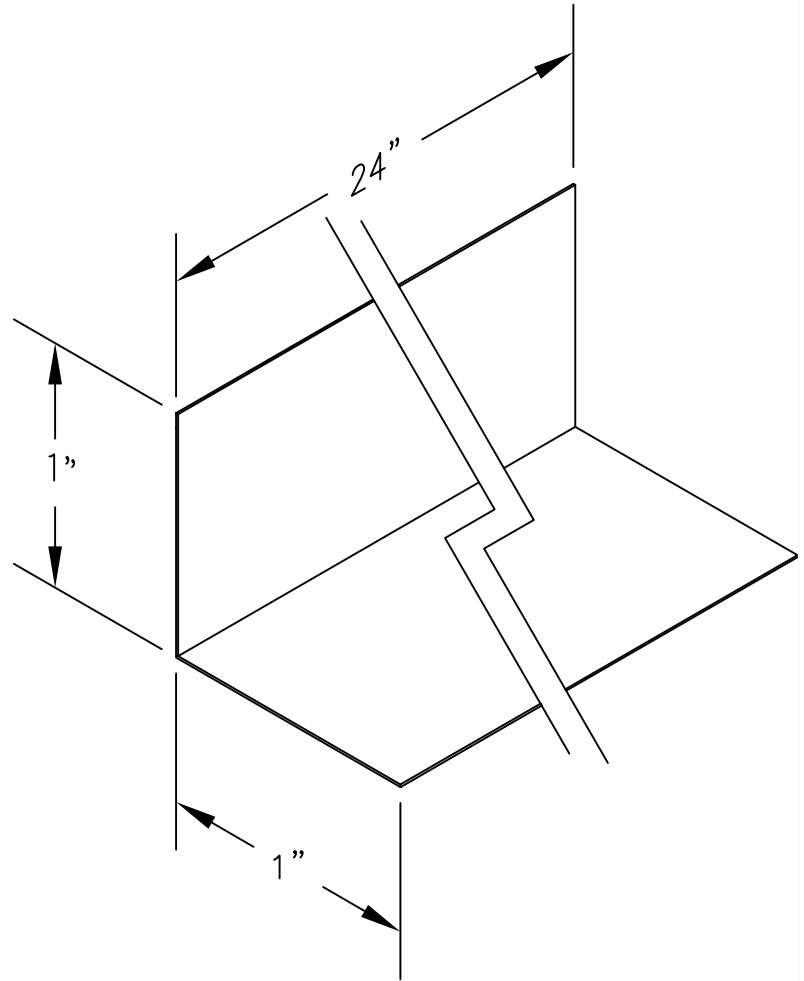
FEATURES

GALVANIZED STEEL PROVIDES EXCELLENT CORROSION RESISTANCE AND LONGEVITY.

AVAILABLE IN MULTIPLE GAUGES TO SUIT YOUR NEEDS.

BUNDLE QUANTITIES OF 50 PIECES.

OPTION: CUSTOM SIZES AVAILABLE.



JOB NAME:
LOCATION:
ARCHITECT:
ENGINEER:
CONTRACTOR:

CONTACT MIAMI TECH INC. FOR ADDITIONAL INFORMATION OR WITH SPECIAL REQUIREMENTS.

3611 NW 74TH ST
MIAMI, FL 33147
PHONE: 305-693-7054 FAX: 305-693-6152

WEB: WWW.MIAMITECH.COM
EMAIL: SALES@MIAMITECH.COM

BR
BOOT RAILS
PRODUCT SPECIFICATIONS



DRAWN BY: AF	DATE: 09/25/07	SCALE: NOT TO SCALE	DRAWING NO. BR
CHECKED BY: IG	DATE: 09/25/07	REVISION: 1	