

STANDARD CONSTRUCTION
BODY:

26 GAUGE ASTM A-653 HOT-DIPPED GALVANIZED STEEL

OPTIONS:

FOR BACKDRAFT DAMPER OPTION, ADD "D"

FOR 1/2" STUCCO LIP OPTION, ADD "L"

FOR BOTH ABOVE OPTIONS, ADD "DL"

CUSTOM SIZES AVAILABLE UPON REQUEST

FEATURES:

26 GAUGE GALVANIZED STEEL PROVIDES EXCELLENT CORROSION RESISTANCE AND LONGEVITY. DISCHARGE HOOD AREA EQUAL OR GREATER THAN INLET PIPE AREA.

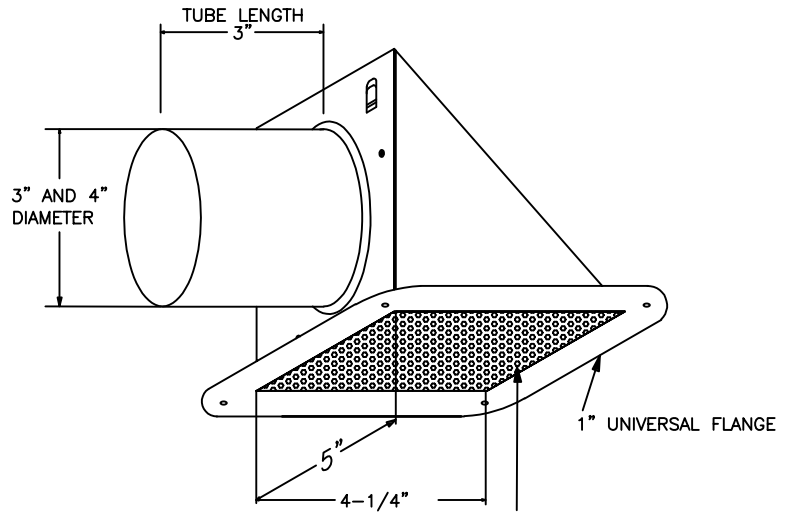
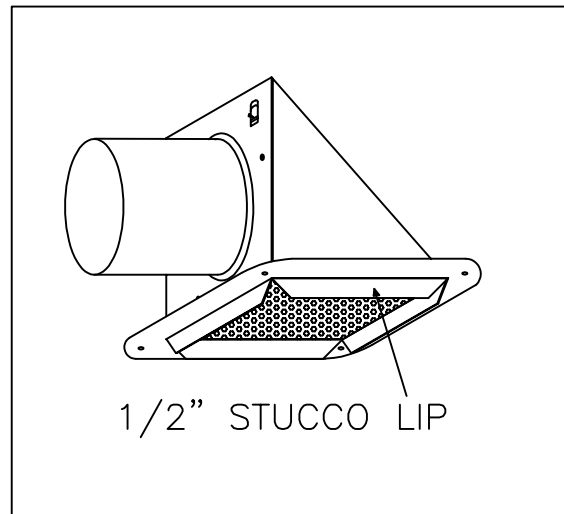
STITCH WELDED INLET TUBE.

ROUNDED FLANGE CORNERS FOR ADDED SAFETY.

FLANGED BASE PROVIDES A SOLID FASTENING SURFACE..

STANDARD SIZES:

PART NUMBER	DESCRIPTION
EV3L	3" EAVE VENT W/ 1/2" LIP
EV4L	4" EAVE VENT W/ 1/2" LIP
EV3DL	3" EAVE VENT W/ DAMPER AND 1/2" LIP
EV4DL	4" EAVE VENT W/ DAMPER AND 1/2" LIP


 PREPAINTED* PERFORATED STEEL
 3/16" DIAMETER HOLES ON 1/4"
 STAGGERED CENTERS


1/2" STUCCO LIP

(STUCCO LIP OPTION "L")

JOB NAME:
LOCATION:
ARCHITECT:
ENGINEER:
CONTRACTOR:
CONTACT MIAMI TECH INC. FOR ADDITIONAL INFORMATION OR WITH SPECIAL REQUIREMENTS. 3611 NW 74TH ST MIAMI, FL 33147 PHONE: 305-693-7054 FAX: 305-693-6152 WEB: WWW.MIAMITECH.COM EMAIL: SALES@MIAMITECH.COM

DISCLAIMER:

1. MIAMI TECH DOES NOT GUARANTEE THESE EAVE VENTS TO BE LEAK-PROOF IN ALL WEATHER CONDITIONS.

2. MIAMI TECH DOES NOT GUARANTEE THESE EAVE VENTS TO PREVENT THE INTRUSION OF WATER FROM WIND BLOWN RAIN OR TORRENTIAL STORM CONDITIONS.

EV

 EAVE VENT
 PRODUCT SPECIFICATIONS

NOTE: ALL DRAWINGS SUBJECT TO CHANGE WITHOUT PRIOR NOTICE.

DRAWN BY: CG	DATE: 7/6/09	SCALE: NOT TO SCALE	DRAWING NO.
CHECKED BY: IV	DATE: 1/13/17	REVISION: 3	EV