



STANDARD CONSTRUCTION

MATERIAL:
26/28 GAUGE ASTM A-653 HOT-DIPPED GALVANIZED STEEL SHEET

CONSTRUCTION:
MECHANICALLY RIVETED BODY

STANDARD SIZES:

PLAIN	W/ SCOOP	W/ DAMPER	W/ SCOOP AND DAMPER	DIA. A	DIA. B	GAUGE	SIZE	QTY.
FSCT64-1	FSCT64-4	FSCT64-5	FSCT64-6	6"	4"	28	4"	1
FSCT75-1	FSCT75-4	FSCT75-5	FSCT75-6	7"	5"	28	5"	1
FSCT86-1	FSCT86-4	FSCT86-5	FSCT86-6	8"	6"	28	6"	1
FSCT97-1	FSCT97-4	FSCT97-5	FSCT97-6	9"	7"	28	7"	1
FSCT108-1	FSCT108-4	FSCT108-5	FSCT108-6	10"	8"	28	8"	1
FSCT1210-1	FSCT1210-4	FSCT1210-5	FSCT1210-6	12"	10"	28	10"	1
FSCT1412-1	FSCT1412-4	FSCT1412-5	FSCT1412-6	14"	12"	26	12"	1
FSCT1614-1	FSCT1614-4	FSCT1614-5	FSCT1614-6	16"	14"	26	14"	1
FSCT1816-1	FSCT1816-4	FSCT1816-5	FSCT1816-6	18"	16"	26	16"	1
FSCT2018-1	FSCT2018-4	FSCT2018-5	FSCT2018-6	20"	18"	26	18"	1
FSCT2220-1	FSCT2220-4	FSCT2220-5	FSCT2220-6	22"	20"	26	20"	1

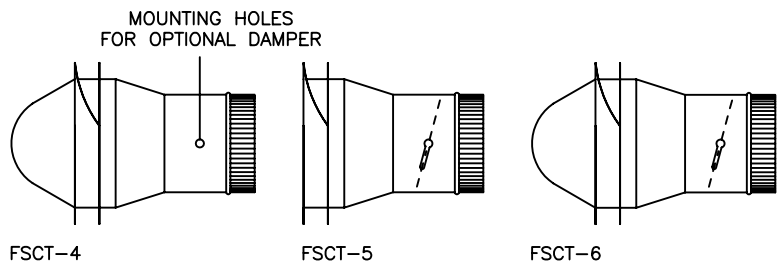
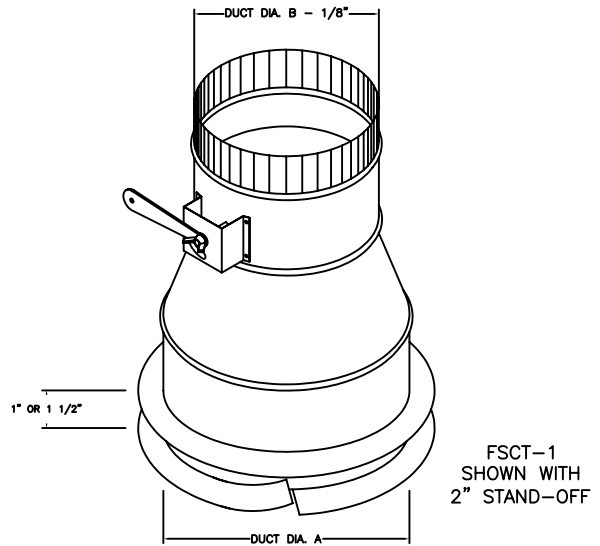
FEATURES

GALVANIZED STEEL PROVIDES EXCELLENT CORROSION RESISTANCE AND LONGEVITY.

SPIN-IN GROOVE FABRICATED INTO BODY TO ENSURE ACCURATE INLET DIAMETER.

CLAMP BAND AND PIPE CRIMP FACILITATE QUICK AND SECURE FIELD INSTALLATION.

OPTIONS: CUSTOM SIZES AVAILABLE.
2" STAND-OFF (FSCT-SO)
AVAILABLE FOR 1" OR 1 1/2" FIBERGLASS.
(PLEASE SPECIFY.)



JOB NAME:
LOCATION:
ARCHITECT:
ENGINEER:
CONTRACTOR:
CONTACT MIAMI TECH INC. FOR ADDITIONAL INFORMATION OR WITH SPECIAL REQUIREMENTS. 3611 NW 74TH ST MIAMI, FL 33147 PHONE: 305-693-7054 FAX: 305-693-6152 WEB: WWW.MIAMITECH.COM EMAIL: SALES@MIAMITECH.COM

FSCT-1

TAPERED SPIN-IN COLLAR FOR FIBERGLASS
PRODUCT SPECIFICATIONS

NOTE: ALL DRAWINGS SUBJECT TO CHANGE WITHOUT PRIOR NOTICE.



DRAWN BY: AF	DATE: 10/10/07	SCALE: NOT TO SCALE	DRAWING NO. FSCT-1
CHECKED BY: IG	DATE: 10/10/07	REVISION: 1	