



STANDARD CONSTRUCTION

MATERIAL:
26/24 GAUGE ASTM A-653 HOT-DIPPED
GALVANIZED STEEL SHEET

STANDARD SIZES:

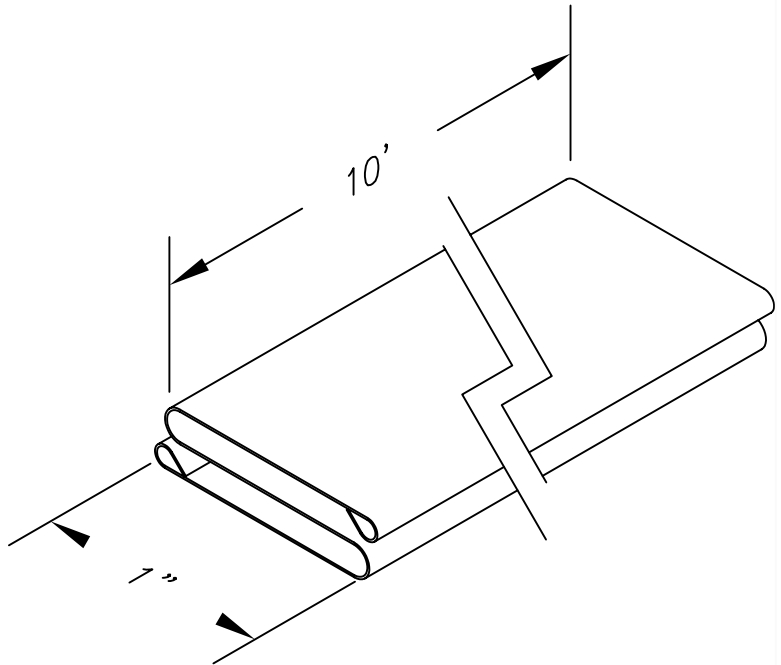
MODEL	WIDTH	LENGTH	GAUGE	BUNDLE QTY.
FSL-26	1"	10'	26	100'
FSL-24	1"	10'	24	100'

FEATURES

GALVANIZED STEEL PROVIDES EXCELLENT CORROSION RESISTANCE AND LONGEVITY.

SOLD IN BUNDLE QUANTITIES OF 10 PIECES (100').

OPTION: 24 GAUGE AVAILABLE (FSL-24).



JOB NAME:
LOCATION:
ARCHITECT:
ENGINEER:
CONTRACTOR:
CONTACT MIAMI TECH INC. FOR ADDITIONAL INFORMATION OR WITH SPECIAL REQUIREMENTS. 3611 NW 74TH ST MIAMI, FL 33147 PHONE: 305-693-7054 FAX: 305-693-6152 WEB: WWW.MIAMITECH.COM EMAIL: SALES@MIAMITECH.COM

FSL

FLAT S-LOCK
PRODUCT SPECIFICATIONS

NOTE: ALL DRAWINGS SUBJECT TO CHANGE WITHOUT PRIOR NOTICE.



DRAWN BY: AF	DATE: 09/26/07	SCALE: NOT TO SCALE
CHECKED BY: IG	DATE: 09/26/07	REVISION: 1

DRAWING NO.
FSL