



STANDARD CONSTRUCTION

BODY:
GRV: 26 GAUGE G-90 GALVANIZED STEEL
UNIVERSAL FLANGE

OPTIONS:
CUSTOM SIZES AVAILABLE
CUSTOM COLLAR SIZE OPTIONS AVAILABLE UPON REQUEST
COLLAR (ADD "C" TO THE END OF THE MODEL NUMBER)
DAMPER (ADD "D" TO THE END OF THE MODEL NUMBER)
COLLAR AND DAMPER (ADD "CD" TO THE END OF THE MODEL NUMBER)
NEOPRENE SOUND PAD ON DAMPER (ADD "NP" TO THE END OF THE MODEL NUMBER)

FEATURES

BIRDSCREEN STANDARD ON ALL ROOF VENTS, UNLESS REQUESTED OTHERWISE. ADD "-NS" TO END OF PART NUMBER WHEN ORDERING GRV WITHOUT BIRDSCREEN. (i.e. GRV4XTC-D-NS)

26 GAUGE GALVANIZED STEEL PROVIDES EXCELLENT CORROSION RESISTANCE AND LONGEVITY.

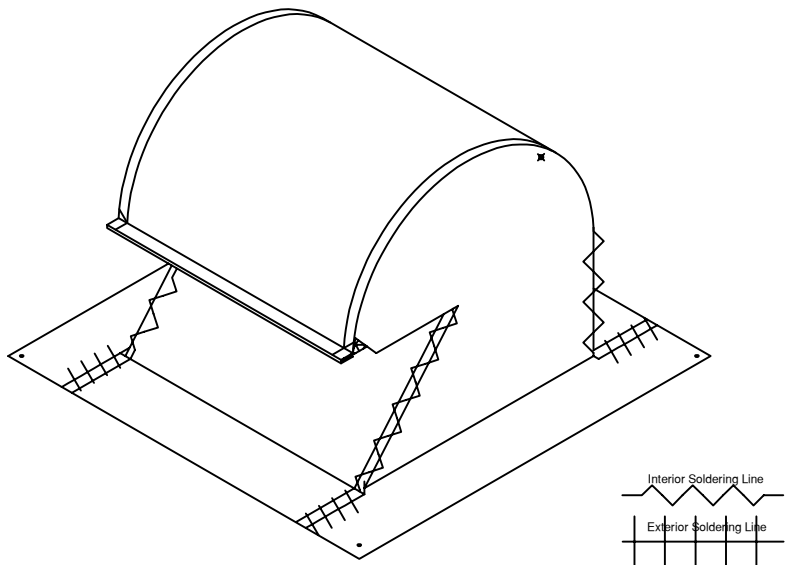
FLANGED BASE PROVIDES FOR GOOD VENT-TO-ROOF CONTACT AND AN EASY CAULKING SURFACE.

GRV SOLDERED AT THE EXTERIOR BASE AND THE INTERIOR CORNERS WITH 50/50 SOFT SOLDER TO AVOID WATER INFILTRATION.

MODEL	WIDTH (W)	HEIGHT (H)	FLANGE (F)	BASE (B)	VENT DEPTH (VD)	VENT HEIGHT (VH)	VENT OPENING (SQ. IN.)	COLLAR OPTION (DIA)
GRV4-SOLDER	5"	6"	2-1/2"	7"	2-3/4"	3"	13.125	4"
GRV4T-SOLDER		9"	2-1/2"	7"	2-3/4"	6"	13.125	
GRV4XT-SOLDER	4"	14-1/8"	3"	10"	4-3/4"	10-1/4"	19.6	6"
GRV6-SOLDER	6"	6"	2-1/2"	7"	2-3/4"	3"	16.9	
GRV6T-SOLDER		9"	2-1/2"	7"	4-3/4"	6"	16.9	
GRV6XT-SOLDER		14-1/8"	3"	10"	4-3/4"	10-1/4"	29.1	
GRV7-SOLDER	7"	6"	2-1/2"	7"	2-3/4"	3"	19.6	
GRV7T-SOLDER		9"	2-1/2"	7"	2-3/4"	6"	19.6	
GRV7XT-SOLDER		14-1/8"	3"	10"	4-3/4"	10-3/4"	33.5	
GRV8-SOLDER	8"	6"	2-1/2"	7"	2-3/4"	3"	22.4	8"
GRV8T-SOLDER		9"	2-1/2"	7"	2-3/4"	6"	38.5	
GRV8XT-SOLDER		14-1/8"	3"	10"	4-3/4"	10-3/4"	38.5	
GRV10-SOLDER	10"	9"	2-1/2"	7"	2-3/4"	6"	27.9	
GRV10T-SOLDER		11-3/4"	2-1/2"	9-3/8"	4-3/4"	8"	48.1	
GRV10XT-SOLDER		14-1/8"	3"	10"	4-3/4"	10-3/4"	48.1	
GRV12-SOLDER	12"	9"	2-1/2"	7"	2-3/4"	6"	35.5	10"
GRV12T-SOLDER		11-3/4"	2-1/2"	9-3/8"	2-3/4"	8"	57.4	
GRV12XT-SOLDER		14-1/8"	3"	10"	4-3/4"	10-3/4"	57.4	
GRV14-SOLDER	14"	9"	2-1/2"	7"	2-3/4"	6"	36.5	
GRV14T-SOLDER		11-3/4"	2-1/2"	9-3/8"	2-3/4"	8"	66.5	
GRV4XT-SOLDER		14-1/8"	3"	10"	4-3/4"	10-3/4"	66.5	

DISCLAIMER:
1. MIAMI TECH DOES NOT GUARANTEE THESE ROOF VENTS TO BE LEAK-PROOF IN ALL WEATHER CONDITIONS.
2. MIAMI TECH DOES NOT GUARANTEE THESE ROOF VENTS TO PREVENT THE INTRUSION OF WATER FROM WIND BLOWN RAIN OR TORRENTIAL STORM CONDITIONS.

JOB NAME:
LOCATION:
ARCHITECT:
ENGINEER:
CONTRACTOR:
CONTACT MIAMI TECH INC. FOR ADDITIONAL INFORMATION OR WITH SPECIAL REQUIREMENTS.
3611 NW 74TH ST MIAMI, FL 33147 PHONE: 305-693-7054 FAX: 305-693-6152
WEB: WWW.MIAMITECH.COM EMAIL: SALES@MIAMITECH.COM



NOTE: MAXIMUM B-DIMENSION IS 10", EVEN IF THE W-DIMENSION IS GREATER.

GRV-SOLDER

GALVANIZED ROOF VENT W/ SOLDERED SEAMS
PRODUCT SPECIFICATIONS

NOTE: ALL DRAWINGS SUBJECT TO CHANGE WITHOUT PRIOR NOTICE.



DRAWN BY: CG	DATE: 2/14/14	SCALE: NOT TO SCALE	DRAWING NO.
CHECKED BY: IG	DATE: 02/14/14	REVISION: F	GRV-SOLDER