



**STANDARD CONSTRUCTION**

**BODY:**

GRV: 26 GAUGE G-90 GALVANIZED STEEL  
UNIVERSAL FLANGE

**OPTIONS:**

CUSTOM SIZES AVAILABLE  
CUSTOM COLLAR SIZE OPTIONS AVAILABLE UPON REQUEST  
COLLAR (ADD A "C" TO THE END OF THE MODEL NUMBER)  
DAMPER (ADD A "D" TO THE END OF THE MODEL NUMBER)  
COLLAR AND DAMPER (ADD A "CD" TO THE END OF THE MODEL NUMBER)

**FEATURES**

BIRDSCREEN STANDARD ON ALL ROOF VENTS, UNLESS REQUESTED OTHERWISE. ADD "NS" TO END OF PART NUMBER WHEN ORDERING GRV WITHOUT BIRDSCREEN. (i.e. GRV4XTCD-NS)

26 GAUGE GALVANIZED STEEL PROVIDES EXCELLENT CORROSION RESISTANCE AND LONGEVITY.

SEALED SEAMS KEEP OUT THE ELEMENTS.

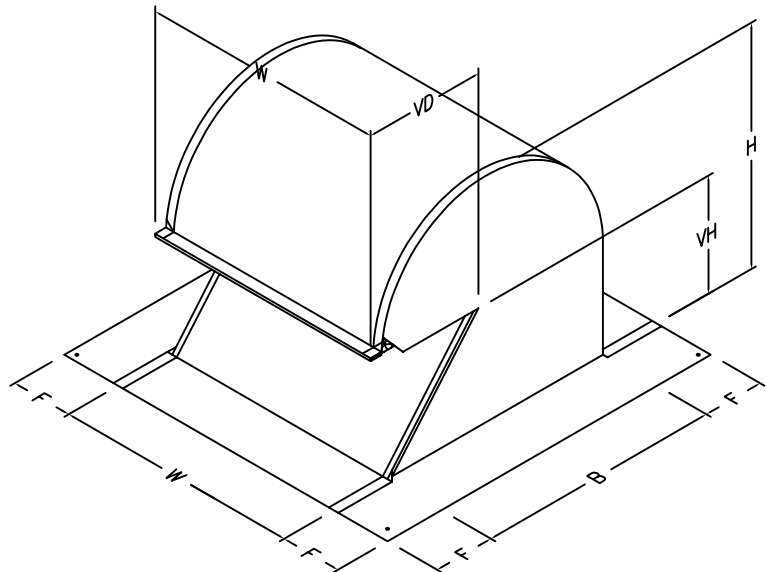
FLANGED BASE PROVIDES FOR GOOD VENT-TO-ROOF CONTACT AND AN EASY CAULKING SURFACE.

MODEL	WIDTH (W)	HEIGHT (H)	FLANGE (F)	BASE (B)	VENT DEPTH (VD)	VENT HEIGHT (VH)	VENT OPENING (SQ. IN.)	COLLAR OPTION (DIA)
GRV4	5"	6"	2-1/2"	7"	2-3/4"	3"	13.125	4"
GRV4T		9"	2-1/2"	7"	2-3/4"	6"	13.125	
GRV4XT	4"	14-1/8"	3"	10"	4-3/4"	10-1/4"	19.6	6"
GRV6	6"	6"	2-1/2"	7"	2-3/4"	3"	16.9	
GRV6T		9"	2-1/2"	7"	4-3/4"	6"	16.9	
GRV6XT		14-1/8"	3"	10"	4-3/4"	10-1/4"	29.1	
GRV7	7"	6"	2-1/2"	7"	2-3/4"	3"	19.6	
GRV7T		9"	2-1/2"	7"	2-3/4"	6"	19.6	
GRV7XT		14-1/8"	3"	10"	4-3/4"	10-3/4"	33.5	
GRV8	8"	6"	2-1/2"	7"	2-3/4"	3"	22.4	7"
GRV8T		9"	2-1/2"	7"	2-3/4"	6"	38.5	
GRV8XT		14-1/8"	3"	10"	4-3/4"	10-3/4"	38.5	8"
GRV10	10"	9"	2-1/2"	7"	2-3/4"	6"	27.9	7"
GRV10T		11-3/4"	2-1/2"	9-3/8"	4-3/4"	8"	48.1	8"
GRV10XT		14-1/8"	3"	10"	4-3/4"	10-3/4"	48.1	10"
GRV12	12"	9"	2-1/2"	7"	2-3/4"	6"	35.5	7"
GRV12T		11-3/4"	2-1/2"	9-3/8"	2-3/4"	8"	57.4	8"
GRV12XT		14-1/8"	3"	10"	4-3/4"	10-3/4"	57.4	10"
GRV14	14"	9"	2-1/2"	7"	2-3/4"	6"	36.5	7"
GRV14T		11-3/4"	2-1/2"	9-3/8"	2-3/4"	8"	66.5	8"
GRV4XT		14-1/8"	3"	10"	4-3/4"	10-3/4"	66.5	10"

**DISCLAIMER:**

- MIAMI TECH DOES NOT GUARANTEE THESE ROOF VENTS TO BE LEAK-PROOF IN ALL WEATHER CONDITIONS.
- MIAMI TECH DOES NOT GUARANTEE THESE ROOF VENTS TO PREVENT THE INTRUSION OF WATER FROM WIND BLOWN RAIN OR TORRENTIAL STORM CONDITIONS.

JOB NAME:
LOCATION:
ARCHITECT:
ENGINEER:
CONTRACTOR:
CONTACT MIAMI TECH INC. FOR ADDITIONAL INFORMATION OR WITH SPECIAL REQUIREMENTS.
3611 NW 74TH ST MIAMI, FL 33147 PHONE: 305-693-7054 FAX: 305-693-6152
WEB: WWW.MIAMITECH.COM EMAIL: SALES@MIAMITECH.COM



**NOTE:** MAXIMUM B-DIMENSION IS 10", EVEN IF THE W-DIMENSION IS GREATER.

**GRV**

GALVANIZED ROOF VENT  
PRODUCT SPECIFICATIONS

NOTE: ALL DRAWINGS SUBJECT TO CHANGE WITHOUT PRIOR NOTICE.



DRAWN BY: MR	DATE: 08/20/07	SCALE: NOT TO SCALE	DRAWING NO. GRV
CHECKED BY: IG	DATE: 03/23/23	REVISION: G	