



STANDARD CONSTRUCTION

BODY:

GRV: 26 GAUGE G-90 GALVANIZED STEEL
ARV: 0.018" 3003H14 ALUMINUM SHEET
UNIVERSAL FLANGE

OPTIONS:

CUSTOM SIZES AVAILABLE
CUSTOM COLLAR SIZE OPTIONS AVAILABLE UPON REQUEST
COLLAR (ADD A "C" TO THE END OF THE MODEL NUMBER)
DAMPER (ADD A "D" TO THE END OF THE MODEL NUMBER)
COLLAR AND DAMPER (ADD A "CD" TO THE END OF THE MODEL NUMBER)
ALUMINUM MODEL (USE "ARV" IN REPLACEMENT OF "GRV")

FEATURES

BIRDSCREEN STANDARD ON ALL ROOF VENTS, UNLESS REQUESTED OTHERWISE. ADD "-NS" TO END OF PART NUMBER WHEN ORDERING GRV WITHOUT BIRDSCREEN. (i.e. GRV4XTCD-NS)

26 GAUGE GALVANIZED STEEL OR 0.018" ALUMINUM SHEET PROVIDE EXCELLENT CORROSION RESISTANCE AND LONGEVITY.

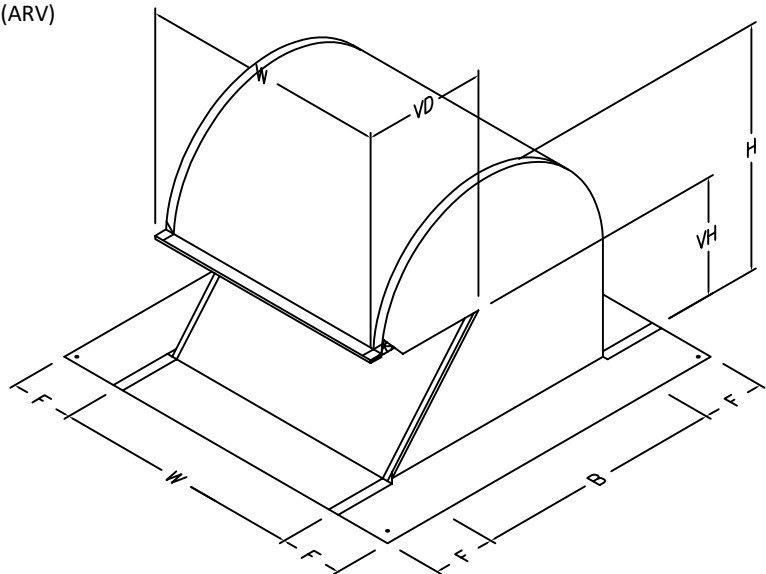
SEALED SEAMS KEEP OUT THE ELEMENTS.

FLANGED BASE PROVIDES FOR GOOD VENT-TO-ROOF CONTACT AND AN EASY CAULKING SURFACE.

MODEL	WIDTH (W)	HEIGHT (H)	FLANGE (F)	BASE (B)	VENT DEPTH (VD)	VENT HEIGHT (VH)	VENT OPENING (SQ. IN.)	COLLAR OPTION (DIA)
GRV4	5"	6"	2-1/2"	7"	2-3/4"	3"	13.125	4"
GRV4T		9"	2-1/2"	7"	2-3/4"	6"	13.125	
GRV4XT	4"	14-1/8"	3"	10"	4-3/4"	10-1/4"	19.6	6"
GRV6	6"	6"	2-1/2"	7"	2-3/4"	3"	16.9	
GRV6T		9"	2-1/2"	7"	4-3/4"	6"	16.9	
GRV6XT		14-1/8"	3"	10"	4-3/4"	10-1/4"	29.1	
GRV7	7"	6"	2-1/2"	7"	2-3/4"	3"	19.6	
GRV7T		9"	2-1/2"	7"	2-3/4"	6"	19.6	
GRV7XT		14-1/8"	3"	10"	4-3/4"	10-3/4"	33.5	
GRV8	8"	6"	2-1/2"	7"	2-3/4"	3"	22.4	8"
GRV8T		9"	2-1/2"	7"	2-3/4"	6"	38.5	
GRV8XT		14-1/8"	3"	10"	4-3/4"	10-3/4"	38.5	
GRV10	10"	9"	2-1/2"	7"	2-3/4"	6"	27.9	8"
GRV10T		11-3/4"	2-1/2"	9-3/8"	4-3/4"	8"	48.1	
GRV10XT		14-1/8"	3"	10"	4-3/4"	10-3/4"	48.1	
GRV12	12"	9"	2-1/2"	7"	2-3/4"	6"	35.5	10"
GRV12T		11-3/4"	2-1/2"	9-3/8"	2-3/4"	8"	57.4	
GRV12XT		14-1/8"	3"	10"	4-3/4"	10-3/4"	57.4	
GRV14	14"	9"	2-1/2"	7"	2-3/4"	6"	36.5	10"
GRV14T		11-3/4"	2-1/2"	9-3/8"	2-3/4"	8"	66.5	
GRV4XT		14-1/8"	3"	10"	4-3/4"	10-3/4"	66.5	

NOTE: ALL SIZES LISTED ARE AVAILABLE IN ALUMINUM (ARV)

JOB NAME:
LOCATION:
ARCHITECT:
ENGINEER:
CONTRACTOR:
CONTACT MIAMI TECH INC. FOR ADDITIONAL INFORMATION OR WITH SPECIAL REQUIREMENTS.
3611 NW 74TH ST MIAMI, FL 33147 PHONE: 305-693-7054 FAX: 305-693-6152
WEB: WWW.MIAMITECH.COM EMAIL: SALES@MIAMITECH.COM



NOTE: MAXIMUM B-DIMENSION IS 10", EVEN IF THE W-DIMENSION IS GREATER.

GRV / ARV
GALVANIZED / ALUMINUM ROOF VENT
PRODUCT SPECIFICATIONS

NOTE: ALL DRAWINGS SUBJECT TO CHANGE WITHOUT PRIOR NOTICE.



DRAWN BY: MR	DATE: 08/20/07	SCALE: NOT TO SCALE	DRAWING NO.
CHECKED BY: IG	DATE: 12/10/20	REVISION: F	GRV/ARV