



**STANDARD CONSTRUCTION**

MATERIAL:  
28/30 GAUGE ASTM A-653 HOT-DIPPED  
GALVANIZED STEEL SHEET

STANDARD SIZES:

MODEL	SIZE BASE X TOP X BRANCH	GAUGE	QTY.
ILW444	4" X 4" X 4"	30	1
ILW544	5" X 4" X 4"	30	1
ILW554	5" X 5" X 4"	30	1
ILW555	5" X 5" X 5"	30	1
ILW644	6" X 4" X 4"	30	1
ILW666	6" X 6" X 6"	30	1
ILW866	8" X 6" X 6"	30	1
ILW12128	12" X 12" X 8"	28	1
ILW121010	12" X 10" X 10"	28	1
ILW141212	14" X 12" X 12"	28	1

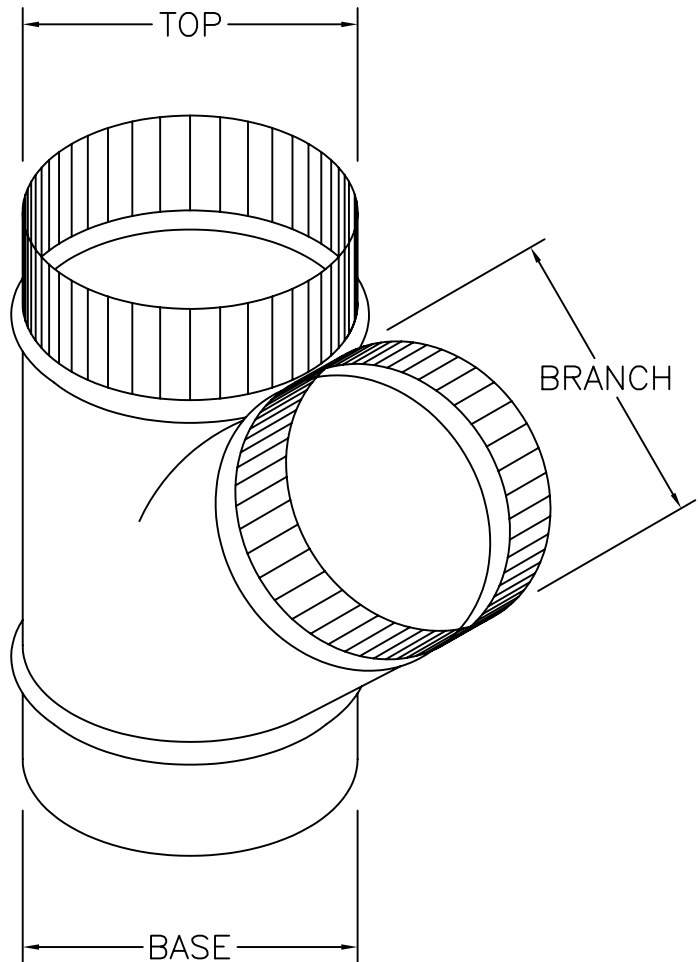
**FEATURES**

GALVANIZED STEEL PROVIDES EXCELLENT CORROSION  
RESISTANCE AND LONGEVITY.

FEMALE CONNECTION AT THE BASE.

CRIMPED MALE CONNECTION ON THE TOP AND BRANCH.

OPTIONS: CUSTOM SIZES AVAILABLE.



JOB NAME:
LOCATION:
ARCHITECT:
ENGINEER:
CONTRACTOR:
CONTACT MIAMI TECH INC. FOR ADDITIONAL INFORMATION OR WITH SPECIAL REQUIREMENTS.  3611 NW 74TH ST MIAMI, FL 33147 PHONE: 305-693-7054 FAX: 305-693-6152  WEB: WWW.MIAMITECH.COM EMAIL: SALES@MIAMITECH.COM

**ILW**

IN-LINE WYE  
PRODUCT SPECIFICATIONS

NOTE: ALL DRAWINGS SUBJECT TO CHANGE WITHOUT PRIOR NOTICE.



**miami tech inc.**

DRAWN BY: AF	DATE: 10/31/07	SCALE: NOT TO SCALE	DRAWING NO.
CHECKED BY: IG	DATE: 10/31/07	REVISION: 1	

ILW