



STANDARD CONSTRUCTION

OUTSIDE CASING /TOP
30 GAUGE HOT -DIPPED GALVANIZED STEEL

PERIMETER FLANGE:
30 GAUGE HOT DIPPED GALVANIZED STEEL
COLLAR: 30 GAUGE HOT DIPPED GALVANIZED STEEL

INSULATION:
R4.2,R6 OR R8 BLACK DIFFUSER BOARD

OPTIONS:
W/ OUT COLLAR (R4/R6/R8SRBU)
W/ GASKET (R4/R6/R8SRBG)
CUSTOM SIZES AVAILABLE

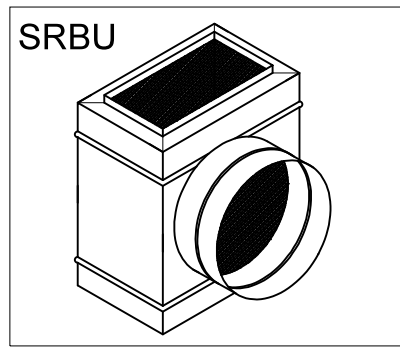
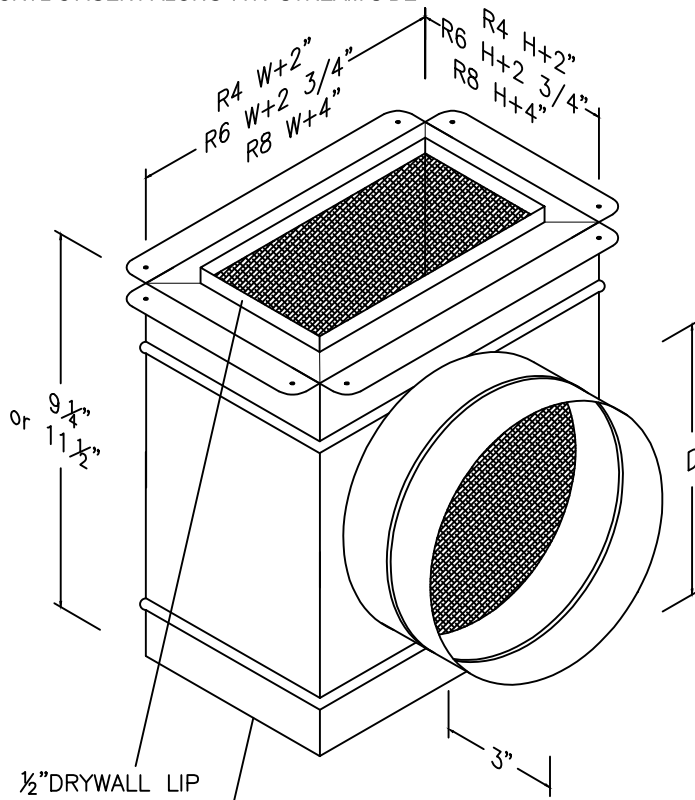
STANDARD SIZES:

W X H X D
6" X 4" X 4"
6" X 6" X 4"
6" X 6" X 5"
6" X 6" X 6"
8" X 4" X 4"
8" X 4" X 5"
8" X 8" X 7"
8" X 8" X 8"
10" X 10" X 7"
12" X 6" X 6"
12" X 6" X 7"
12" X 8" X 7"
12" X 8" X 8"
12" X 12" X 8"
14" X 6" X 6"
14" X 6" X 7"
14" X 8" X 7"
14" X 8" X 8"
14" X 14" X 7"
14" X 14" X 8"
16" X 8" X 7"
16" X 8" X 8"
16" X 16" X 7"
16" X 16" X 8"
18" X 18" X 7"
18" X 18" X 8"
24" X 24" X 7"

FEATURES

- 1" PERIMETER FLANGE PROVIDED FOR EASY INSTALLATION
- DESIGN INCLUDES 1/2" DRYWALL LIP AND ROUNDED CORNERS FOR ADDED SAFETY
- OPENING 1/4" OVERSIZED TO ACCOMMODATE REGISTER /GRILLE.
- COLLAR INSTALLED WITH EXPANSION LOCK AND THEN SEALED AIR TIGHT WITH HOT MELT GLUE.
- DUAL BEAD BOX DESIGN FOR ADDED STRENGTH.
- BOX DEPTH IS 11 1/2" FOR COLLARS 8" AND LARGER.
- BOX DEPTH IS 9 1/4" FOR COLLARS 7" AND SMALLER.

BLACK DIFFUSER BOARD COATED WITH EPA-REGISTERED,ANTI-MICROBIAL,PROTECTIVE ACRYLIC AGENT ALONG AIR STREAM SIDE.



JOB NAME:
LOCATION:
ARCHITECT:
ENGINEER:
CONTRACTOR:

CONTACT MIAMI TECH INC. FOR ADDITIONAL INFORMATION OR WITH SPECIAL REQUIREMENTS.

3611 NW 74TH ST
MIAMI, FL 33147
PHONE: 305-693-7054 FAX: 305-693-6152

WEB: WWW.MIAMITECH.COM
EMAIL: SALES@MIAMITECH.COM

R4/R6/R8SRB
SIDE OUTLET FLANGED
REGISTER BOX WITH COLLAR
PRODUCT SPECIFICATIONS

NOTE: ALL DRAWINGS SUBJECT TO CHANGE WITHOUT PRIOR NOTICE.



DRAWN BY: AF	DATE: 01/06/2009	SCALE: NOT TO SCALE	DRAWING NO. R4R6R8SRB
CHECKED BY: IV	DATE: 01/06/2009	REVISION: 01	