



STANDARD CONSTRUCTION

BODY:

4"-8" 30 GAUGE ASTM A-653 HOT-DIPPED GALVANIZED STEEL
9"-20" 28 GAUGE ASTM A-653 HOT-DIPPED GALVANIZED STEEL

STANDARD SIZES:

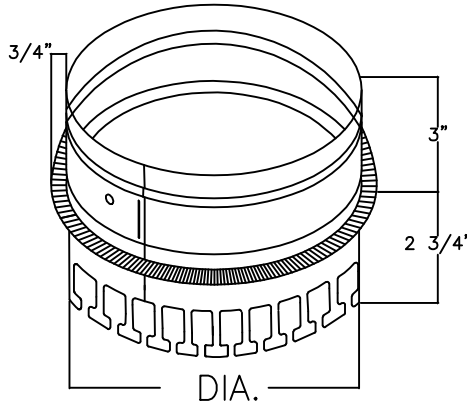
STANDARD MODEL	DIAMETER	MODEL W/ SCOOP	MODEL W/ DAMPER	MODEL W/ SCOOP AND DAMPER	GAUGE
R8-FCL04	4"	R8-FCZ04	R8-FCD04	R8-FCZD04	30ga
R8-FCL05	5"	R8-FCZ05	R8-FCD05	R8-FCZD05	30ga
R8-FCL06	6"	R8-FCZ06	R8-FCD06	R8-FCZD06	30ga
R8-FCL07	7"	R8-FCZ07	R8-FCD07	R8-FCZD07	30ga
R8-FCL08	8"	R8-FCZ08	R8-FCD08	R8-FCZD08	30ga
R8-FCL09	9"	R8-FCZ09	R8-FCD09	R8-FCZD09	28ga
R8-FCL10	10"	R8-FCZ10	R8-FCD10	R8-FCZD10	28ga
R8-FCL12	12"	R8-FCZ12	R8-FCD12	R8-FCZD12	28ga
R8-FCL14	14"	R8-FCZ14	R8-FCD14	R8-FCZD14	28ga
R8-FCL16	16"	R8-FCZ16	R8-FCD16	R8-FCZD16	28ga
R8-FCL18	18"	R8-FCZ18	R8-FCD18	R8-FCZD18	28ga
R8-FCL20	20"	R8-FCZ20	R8-FCD20	R8-FCZD20	28ga

FEATURES

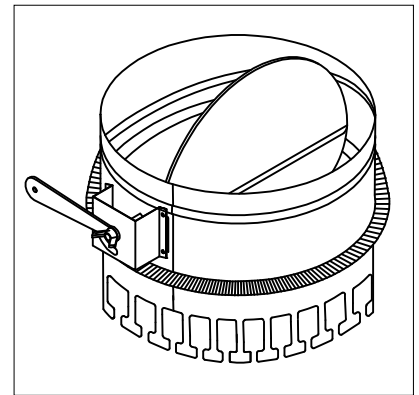
SNAP-LOCK CLOSURE FOR EASY ASSEMBLY.

OPTIONS

R8-FCDXX: WITH DAMPER
R8-FCZXX: WITH SCOOP
R8-FCZDXX: WITH SCOOP AND DAMPER
FOR 2" STAND-OFF: ADD "-SO" TO PART NO.
FOR GASKET: ADD "G" TO PART NO.
ALSO AVAILABLE FOR 1 1/2" TO 2" FIBERGLASS
CUSTOM SIZES AVAILABLE



STAND-OFF OPTION

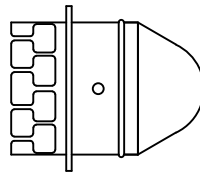


JOB NAME: _____
 LOCATION: _____
 ARCHITECT: _____
 ENGINEER: _____
 CONTRACTOR: _____

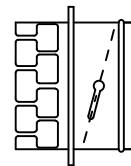
CONTACT MIAMI TECH INC. FOR ADDITIONAL INFORMATION OR WITH SPECIAL REQUIREMENTS.

3611 NW 74TH ST
 MIAMI, FL 33147
 PHONE: 305-693-7054 FAX: 305-693-6152

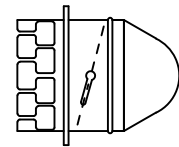
WEB: WWW.MIAMITECH.COM
 EMAIL: SALES@MIAMITECH.COM



R8-FCZ



R8-FCD



R8-FCZD

R8FCL

R8 TAB COLLAR FOR FIBERGLASS
PRODUCT SPECIFICATIONS



DRAWN BY: CG

DATE: 12/04/2008

SCALE: NOT TO SCALE

DRAWING NO.

CHECKED BY: IV

DATE: 05/18/2016

REVISION: 2

R8FCL

NOTE: ALL DRAWINGS SUBJECT TO CHANGE WITHOUT PRIOR NOTICE.