



STANDARD CONSTRUCTION

BODY:

26 GAUGE GALVANIZED STEEL

CAP :

26 GAUGE GALVANIZED STEEL

BIRD SCREEN :

22 GAUGE EXPANDED GALVANIZED STEEL

SEALER :

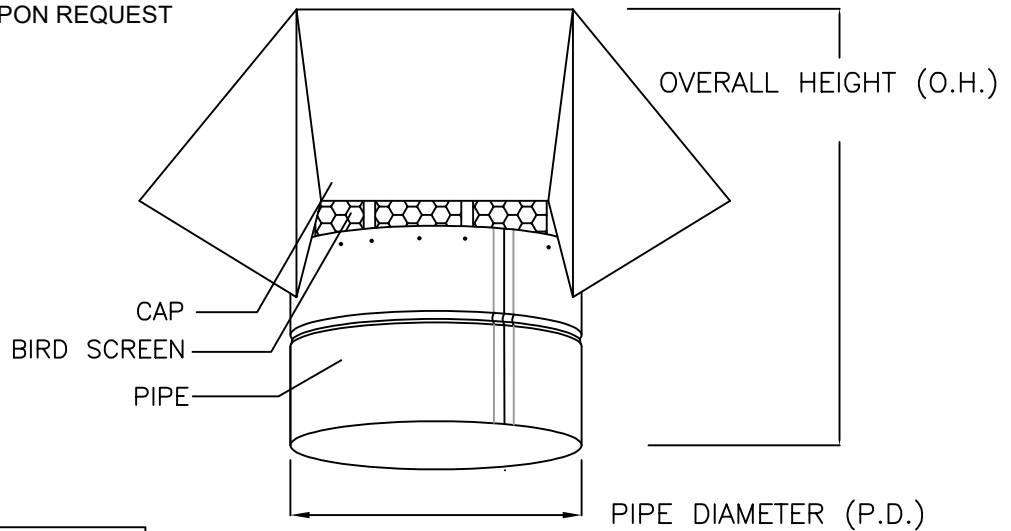
PARABOND ALUMINIUM ADHESIVE

OPTION:

CUSTOM SIZES AVAILABLE UPON REQUEST

STANDARD SIZES:

P.D.	O.H.
6"	8"



JOB NAME:
LOCATION:
ARCHITECT:
ENGINEER:
CONTRACTOR:

CONTACT MIAMI TECH INC. FOR ADDITIONAL INFORMATION OR WITH SPECIAL REQUIREMENTS.

3611 NW 74TH ST
MIAMI, FL 33147
PHONE: 305-693-7054 FAX: 305-693-6152

WEB: WWW.MIAMITECH.COM
EMAIL: SALES@MIAMITECH.COM

DISCLAIMER:

1. MIAMI TECH DOES NOT GUARANTEE THESE SHANTY CAPS TO BE LEAK-PROOF IN ALL WEATHER CONDITIONS.

2. MIAMI TECH DOES NOT GUARANTEE THESE SHANTY CAPS TO PREVENT THE INTRUSION OF WATER FROM WIND BLOWN RAIN OR TORRENTIAL STORM CONDITIONS.

SC

SHANTY CAP
PRODUCT SPECIFICATIONS



miami tech inc.

DRAWN BY: AV	DATE: 02.25.2009	SCALE: NOT TO SCALE	DRAWING NO.
CHECKED BY: IV	DATE: 8-20-2012	REVISION: 03	SC