



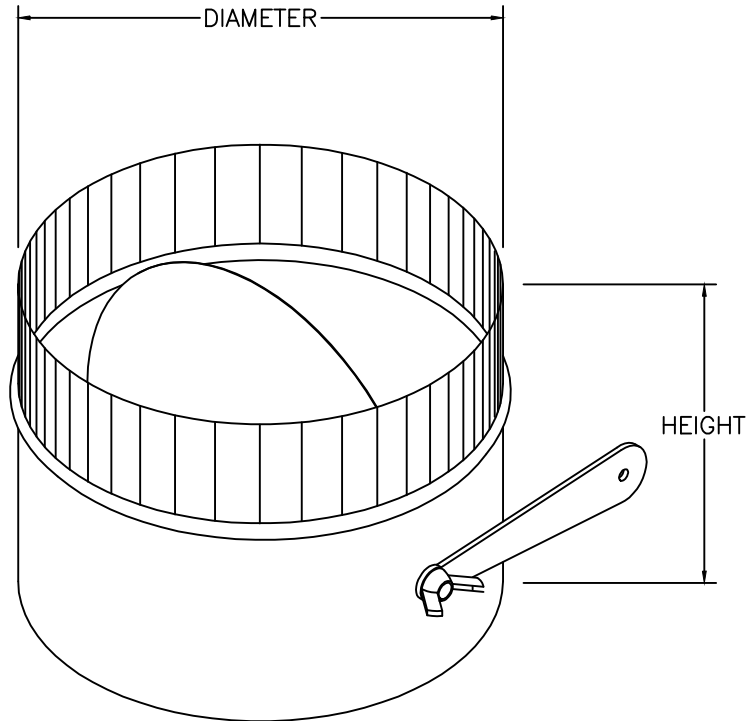
STANDARD CONSTRUCTION

MATERIAL:
26/28 GAUGE ASTM A-653 HOT-DIPPED GALVANIZED STEEL SHEET

CONSTRUCTION:
MECHANICALLY RIVETED / STITCH WELDED

STANDARD SIZES:

PLAIN	DIAMETER	HEIGHT	GAUGE	QTY.
SD04	4"	6"	28	1
SD05	5"	6"	28	1
SD06	6"	6"	28	1
SD07	7"	8"	26	1
SD08	8"	8"	26	1
SD09	9"	10"	26	1
SD10	10"	10"	26	1
SD12	12"	12"	26	1
SD14	14"	14"	26	1
SD16	16"	16"	26	1
SD18	18"	18"	26	1
SD20	20"	20"	26	1



FEATURES

GALVANIZED STEEL PROVIDES EXCELLENT CORROSION RESISTANCE AND LONGEVITY.

CLAMP BAND AND PIPE CRIMP FACILITATE QUICK AND SECURE FIELD INSTALLATION.

OPTIONS: CUSTOM SIZES AVAILABLE.
2" STAND-OFF (SD-SO).
AVAILABLE IN OTHER GAUGES:
SD-22 (22GA CUSTOM ORDER)
SD-24 (24GA CUSTOM ORDER)

JOB NAME:
LOCATION:
ARCHITECT:
ENGINEER:
CONTRACTOR:
CONTACT MIAMI TECH INC. FOR ADDITIONAL INFORMATION OR WITH SPECIAL REQUIREMENTS. 3611 NW 74TH ST MIAMI, FL 33147 PHONE: 305-693-7054 FAX: 305-693-6152 WEB: WWW.MIAMITECH.COM EMAIL: SALES@MIAMITECH.COM

SD
SLEEVE DAMPER
PRODUCT SPECIFICATIONS



DRAWN BY: AF	DATE: 10/12/07	SCALE: NOT TO SCALE	DRAWING NO. SD
CHECKED BY: IG	DATE: 10/12/07	REVISION: 1	