



**STANDARD CONSTRUCTION**

**MATERIAL:**

26 GAUGE ASTM A-653 HOT-DIPPED GALVANIZED STEEL SHEET

**STANDARD SIZES:**

MODEL	SIZE	BOX QTY.
SRJ04	4"	1
SRJ05	5"	1
SRJ06	6"	1
SRJ07	7"	1
SRJ08	8"	1
SRJ10	10"	1
SRJ12	12"	1
SRJ14	14"	1
SRJ16	16"	1
SRJ18	18"	1

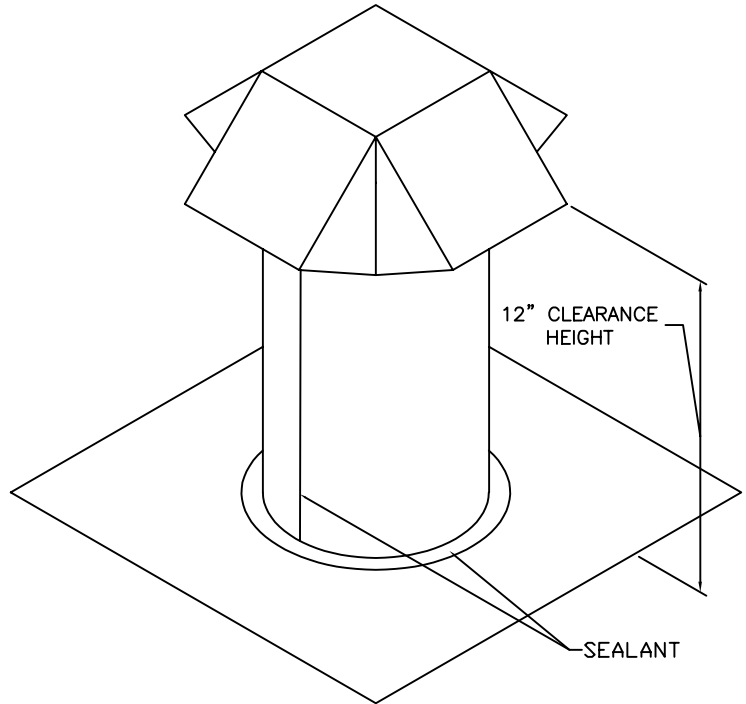
**FEATURES:**

GALVANIZED STEEL PROVIDES EXCELLENT CORROSION RESISTANCE AND LONGEVITY.

ACME LOCK SEAM CREATES A STRONG, RIGID BODY.

SEAMS SEALED TO BE AIR/WATER TIGHT.

INCLUDES A BIRD SCREEN.



JOB NAME:
LOCATION:
ARCHITECT:
ENGINEER:
CONTRACTOR:
CONTACT MIAMI TECH INC. FOR ADDITIONAL INFORMATION OR WITH SPECIAL REQUIREMENTS.
3611 NW 74TH ST MIAMI, FL 33147 PHONE: 305-693-7054 FAX: 305-693-6152
WEB: WWW.MIAMITECH.COM EMAIL: SALES@MIAMITECH.COM

**DISCLAIMER:**

1. MIAMI TECH DOES NOT GUARANTEE THESE ROOF JACKS TO BE LEAK-PROOF IN ALL WEATHER CONDITIONS.

2. MIAMI TECH DOES NOT GUARANTEE THESE ROOF JACKS TO PREVENT THE INTRUSION OF WATER FROM WIND BLOWN RAIN OR TORRENTIAL STORM CONDITIONS.

**SRJ**

**STRAIGHT ROOF JACK  
PRODUCT SPECIFICATIONS**

NOTE: ALL DRAWINGS SUBJECT TO CHANGE WITHOUT PRIOR NOTICE.



DRAWN BY: AF	DATE: 10/16/07	SCALE: NOT TO SCALE	DRAWING NO.  <b>SRJ</b>
CHECKED BY: IG	DATE: 10/16/07	REVISION: 3/15/22	