



STANDARD CONSTRUCTION

BODY:
26 GAUGE ASTM A-653 HOT-DIPPED
GALVANIZED STEEL SHEET

STANDARD SIZES:

MODEL	LENGTH	WIDTH	COLLAR DIAMETERS AVAILABLE	QTY.
STR0606	6"	6"	4" - 6"	1
STR0808	8"	8"	4" - 8"	1
STR1010	10"	10"	4" - 10"	1
STR1212	12"	12"	4" - 12"	1
STR1414	14"	14"	4" - 14"	1
STR1616	16"	16"	4" - 16"	1
STR1818	18"	18"	4" - 18"	1
STR2020	20"	20"	4" - 20"	1
STR2222	22"	22"	4" - 22"	1
STR2424	24"	24"	4" - 24"	1

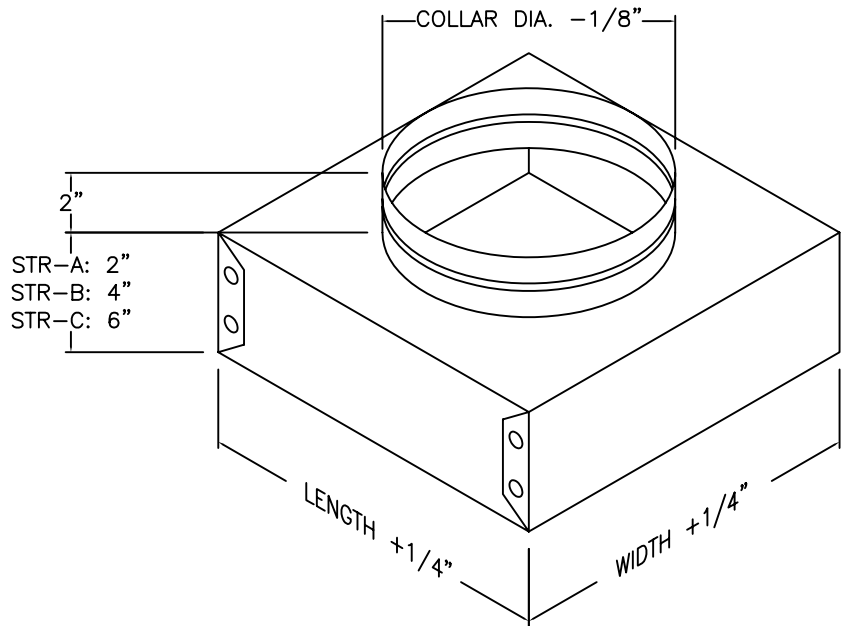
FEATURES

26 GAUGE GALVANIZED STEEL PROVIDES EXCELLENT CORROSION RESISTANCE AND LONGEVITY.

MULTIPLE BODY HEIGHTS AVAILABLE.
(STR-A: 2" STANDARD)

MULTIPLE COLLAR DIAMETERS AVAILABLE.

OPTIONS: CUSTOM SIZES AVAILABLE
EXTENDED BODY HEIGHT AVAILABLE



JOB NAME:
LOCATION:
ARCHITECT:
ENGINEER:
CONTRACTOR:
CONTACT MIAMI TECH INC. FOR ADDITIONAL INFORMATION OR WITH SPECIAL REQUIREMENTS. 3611 NW 74TH ST MIAMI, FL 33147 PHONE: 305-693-7054 FAX: 305-693-6152 WEB: WWW.MIAMITECH.COM EMAIL: SALES@MIAMITECH.COM

STR

SQUARE TO ROUND ADAPTER
PRODUCT SPECIFICATIONS

NOTE: ALL DRAWINGS SUBJECT TO CHANGE WITHOUT PRIOR NOTICE.



DRAWN BY: AF	DATE: 10/16/07	SCALE: NOT TO SCALE	DRAWING NO.
CHECKED BY: IG	DATE: 10/16/07	REVISION: IG	

STR