



**STANDARD CONSTRUCTION**

**BODY:**

26 GAUGE G-90 GALVANIZED STEEL SHEET  
UNIVERSAL FLANGE

**OPTIONS:**

CUSTOM SIZES AVAILABLE  
DAMPER AVAILABLE ON ONE OR BOTH SIDES  
TO ORDER WITH PRE-INSTALLED DAMPER, ADD "D" AFTER DIAMETER SIZE  
(SWCTV4D4, SWCTV64D, SWCTV6D4D)

**STANDARD SIZES:**

MODEL	TOP VENT DEPTH (TD)	TOP VENT WIDTH (TW)	TOP VENT HEIGHT (TH)	TOP TUBE DIAMETER (TTD)	BOTTOM VENT DEPTH (BD)	BOTTOM VENT WIDTH (BW)	BOTTOM VENT HEIGHT (BH)	BOTTOM TUBE DIAMETER (BTD)	OVERALL WIDTH (OW)	OVERALL HEIGHT (OH)
SWCT44	4"	5-5/16"	5-5/16"	3-7/8"	4"	5-5/16"	5-5/16"	3-7/8"	6-13/16"	12-5/8"
SWCT64	6"	7-5/16"	7-5/16"	5-7/8"	4"	5-5/16"	5-5/16"	3-7/8"	8-13/16"	14-3/8"
SWCT46	4"	5-5/16"	5-5/16"	3-7/8"	6"	7-5/16"	7-5/16"	5-7/8"	8-13/16"	15"
SWCT66	6"	7-5/16"	7-5/16"	5-7/8"	6"	7-5/16"	7-5/16"	5-7/8"	8-13/16"	15"

**FEATURES:**

26 GAUGE GALVANIZED STEEL PROVIDES EXCELLENT CORROSION RESISTANCE AND LONGEVITY.

EXPANDED METAL SCREEN KEEPS DEBRIS AND SMALL ANIMALS OUT OF DUCTWORK.

RIVETED, HEAT-GLUED SEAMS CREATE A STRONG, MOISTURE RESISTANT SEAL.

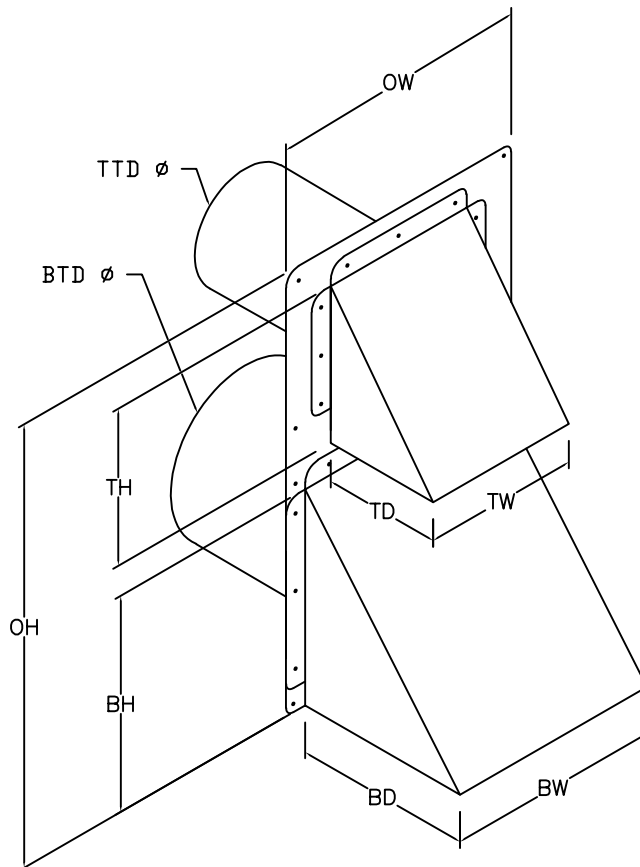
FLANGED BASE PROVIDES FOR GOOD VENT-TO-WALL CONTACT AND AN EASY CAULKING SURFACE.

LONG GALVANIZED NECK ALLOWS FOR EASY UNION THROUGH WALLS TO INTERIOR DUCTS.

**DISCLAIMER:**

1. MIAMI TECH DOES NOT GUARANTEE THESE SIDE WALL CAPS TO BE LEAK-PROOF IN ALL WEATHER CONDITIONS.

2. MIAMI TECH DOES NOT GUARANTEE THESE SIDE WALL CAPS TO PREVENT THE INTRUSION OF WATER FROM WIND BLOWN RAIN OR TORRENTIAL STORM CONDITIONS.



JOB NAME:
LOCATION:
ARCHITECT:
ENGINEER:
CONTRACTOR:
CONTACT MIAMI TECH INC. FOR ADDITIONAL INFORMATION OR WITH SPECIAL REQUIREMENTS.
3611 NW 74TH ST MIAMI, FL 33147 PHONE: 305-693-7054 FAX: 305-693-6152
WEB: WWW.MIAMITECH.COM EMAIL: SALES@MIAMITECH.COM

**SWCTV**

GALVANIZED TWIN SIDE WALL CAP VERTICAL  
PRODUCT SPECIFICATIONS

NOTE: ALL DRAWINGS SUBJECT TO CHANGE WITHOUT PRIOR NOTICE.



DRAWN BY: MR	DATE: 5/28/19	SCALE: NOT TO SCALE	DRAWING NO.
CHECKED BY: CG	DATE: 5/28/19	REVISION: 5/29/19	SWCTV