

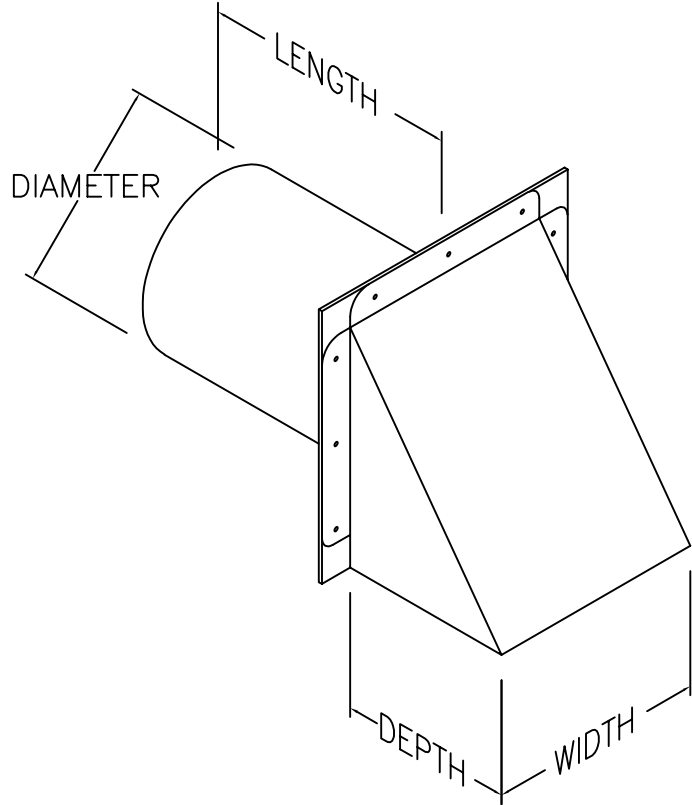


STANDARD CONSTRUCTION

BODY:
26 GAUGE ASTM A-653 HOT-DIPPED
GALVANIZED STEEL SHEET

STANDARD SIZES:

MODEL	DIA.	VENT WIDTH (W)	VENT DEPTH (D)	TUBE LENGTH (L)	QTY
SWC3	3"	4-5/16"	3"	10-1/2"	1
SWC4	4"	4-5/16"	3"	10-1/2"	1
SWC5	5"	6-5/16"	4-1/2"	10-1/2"	1
SWC6	6"	6-5/16"	4-1/2"	10-1/2"	1
SWC7	7"	8-5/16"	6"	10-1/2"	1
SWC8	8"	8-5/16"	6"	10-1/2"	1
SWC9	9"	10-5/16"	7-1/2"	10-1/2"	1
SWC10	10"	10-5/16"	7-1/2"	10-1/2"	1
SWC12	12"	12-5/16"	9-1/4"	10-1/2"	1



FEATURES:

26 GAUGE GALVANIZED STEEL PROVIDES EXCELLENT CORROSION RESISTANCE AND LONGEVITY. ALSO AVAILABLE IN ALUMINIUM (MODEL ASWC).

BACKDRAFT DAMPER OR EXPANDED METAL SCREEN AVAILABLE. (SWC CAN BE ORDERED WITH BOTH OPTIONS ON A SINGLE UNIT.)

DISCHARGE HOOD AREA EQUAL OR GREATER THAN INLET PIPE AREA.

STITCH WELDED INLET PIPE.

FLANGED BASE PROVIDES FOR GOOD VENT-TO-WALL CONTACT AND AN EASY CAULKING SURFACE.

LONG GALVANIZED NECK ALLOWS FOR EASY UNION THROUGH WALLS TO INTERIOR DUCTS.

OPTIONS:

- EXPANDED METAL SCREEN
- BACKDRAFT DAMPER
- TWIN SIDE WALL CAP (SWCT)
- ALUMINIUM CONSTRUCTION (ASWC)

NOTE: DISCHARGE OPENING DIMENSIONS SHOWN.

JOB NAME:
LOCATION:
ARCHITECT:
ENGINEER:
CONTRACTOR:
CONTACT MIAMI TECH INC. FOR ADDITIONAL INFORMATION OR WITH SPECIAL REQUIREMENTS.
3611 NW 74TH ST MIAMI, FL 33147 PHONE: 305-693-7054 FAX: 305-693-6152
WEB: WWW.MIAMITECH.COM EMAIL: SALES@MIAMITECH.COM

DISCLAIMER:

- MIAMI TECH DOES NOT GUARANTEE THESE SIDE WALL CAPS TO BE LEAK-PROOF IN ALL WEATHER CONDITIONS.
- MIAMI TECH DOES NOT GUARANTEE THESE SIDE WALL CAPS TO PREVENT THE INTRUSION OF WATER FROM WIND BLOWN RAIN OR TORRENTIAL STORM CONDITIONS.

SWC

SIDE WALL CAP
PRODUCT SPECIFICATIONS

NOTE: ALL DRAWINGS SUBJECT TO CHANGE WITHOUT PRIOR NOTICE.



DRAWN BY: AF	DATE: 10/16/07	SCALE: NOT TO SCALE	DRAWING NO.
CHECKED BY: IG	DATE: 9/29/09	REVISION: C	SWC