



STANDARD CONSTRUCTION

FRAME:

- 16 GAUGE 1" X 1" SQUARE TUBE
- 16 GAUGE 1" X 1" STEEL ANGLE
- 20 GAUGE 1/2" X 1/2" STEEL ANGLE

OUTSIDE CASING:

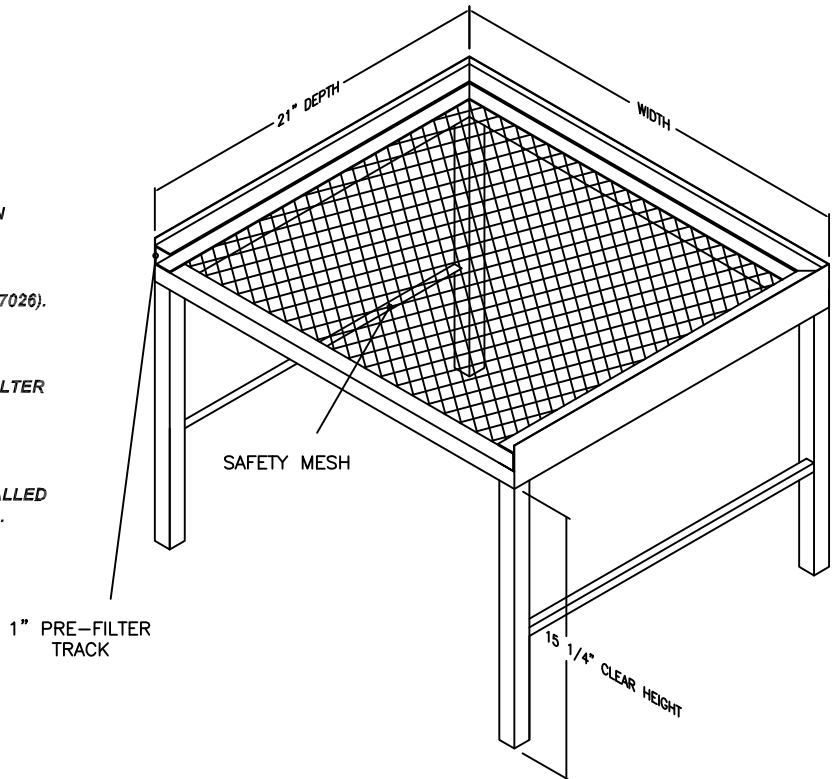
- 16 GAUGE ASTM A-653 HOT-DIPPED GALVANIZED STEEL SHEET
- 22 GAUGE ASTM A-653 HOT-DIPPED GALVANIZED STEEL SHEET

MESH:

- 13 GAUGE 1 3/4" X 3/4" EXPANDED STEEL

FEATURES

- GALVANIZED STEEL PROVIDES EXCELLENT CORROSION RESISTANCE AND LONGEVITY.*
- FULLY POWDER COATED TO GIVE A LONG LASTING, CORROSION RESISTANT FINISH ("GRANITE GREY," RAL 7026).*
- PLASTIC CAPPED FEET TO PROTECT FLOOR SURFACE.*
- PRE-FILTER TRACK ACCOMMODATES A 1" THICK AIR FILTER (FILTER NOT INCLUDED).*
- STANDS INDIVIDUALLY BOXED FOR EASY INVENTORY.*
- FOR TASB WITH OPTIONAL BAFFLE KIT FACTORY INSTALLED (TASSBK), ADD "SB" TO PART NUMBER (i.e. TASB235SB).*



JOB NAME:
LOCATION:
ARCHITECT:
ENGINEER:
CONTRACTOR:
CONTACT MIAMI TECH INC. FOR ADDITIONAL INFORMATION OR WITH SPECIAL REQUIREMENTS.
3611 NW 74TH ST MIAMI, FL 33147 PHONE: 305-693-7054 FAX: 305-693-6152
WEB: WWW.MIAMITECH.COM EMAIL: SALES@MIAMITECH.COM

STANDARD SIZES:

MODEL	WIDTH	DEPTH	HEIGHT	QTY	REPLACEMENT FILTER EXACT DIMENSIONS
TASB175	17 5/8"	21"	17 1/4"	1	17 1/2"x21"x1"
TASB215	21 5/8"	21"	17 1/4"	1	21 1/2"x21"x1"
TASB235	23 5/8"	21"	17 1/4"	1	23 1/2"x21"x1"

TASB

TRANE/AMERICAN STANDARD AIR HANDLER STAND
PRODUCT SPECIFICATIONS

NOTE: ALL DRAWINGS SUBJECT TO CHANGE WITHOUT PRIOR NOTICE.



DRAWN BY: AF	DATE: 11/08/07	SCALE: NOT TO SCALE	DRAWING NO.
CHECKED BY: AV	DATE: 3/2/2013	REVISION: G	TASB