



STANDARD CONSTRUCTION

MATERIAL:

ASTM A-653 HOT-DIPPED GALVANIZED STEEL SHEET

STANDARD SIZES:

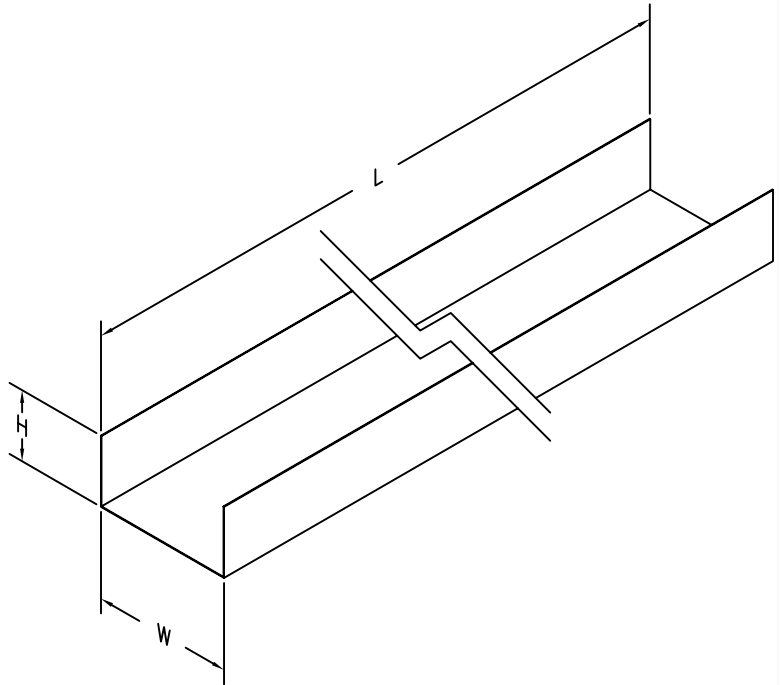
MODEL	SIZE H X W X L	GAUGE	BOX QTY.
UC-26	1" X 2" X 10'	26	100'
UC-22	1" X 2" X 10'	22	100'

FEATURES

GALVANIZED STEEL PROVIDES EXCELLENT CORROSION RESISTANCE AND LONGEVITY.

SOLD IN BUNDLE QUANTITIES OF 10 PIECES (100').

OPTION: CUSTOM SIZES AVAILABLE.



JOB NAME:
LOCATION:
ARCHITECT:
ENGINEER:
CONTRACTOR:
CONTACT MIAMI TECH INC. FOR ADDITIONAL INFORMATION OR WITH SPECIAL REQUIREMENTS. 3611 NW 74TH ST MIAMI, FL 33147 PHONE: 305-693-7054 FAX: 305-693-6152 WEB: WWW.MIAMITECH.COM EMAIL: SALES@MIAMITECH.COM

UC
U-CHANNEL
PRODUCT SPECIFICATIONS



DRAWN BY: AF	DATE: 10/09/07	SCALE: NOT TO SCALE	DRAWING NO.
CHECKED BY: IG	DATE: 10/09/07	REVISION: 1	UC