

STANDARD CONSTRUCTION

MATERIAL:
18 GAUGE ASTM A-653 HOT-DIPPED GALVANIZED STEEL SHEET

BLADE:
22 GAUGE ASTM A-653 HOT-DIPPED GALVANIZED STEEL SHEET

CONTROL SHAFT:
1/4" X 1/4" X 2" SQUARE PLATED STEEL.

FEATURES

GALVANIZED STEEL PROVIDES EXCELLENT CORROSION RESISTANCE AND LONGEVITY.

6" X 6" MINIMUM / 36" X 12" MAXIMUM DIMENSIONS.

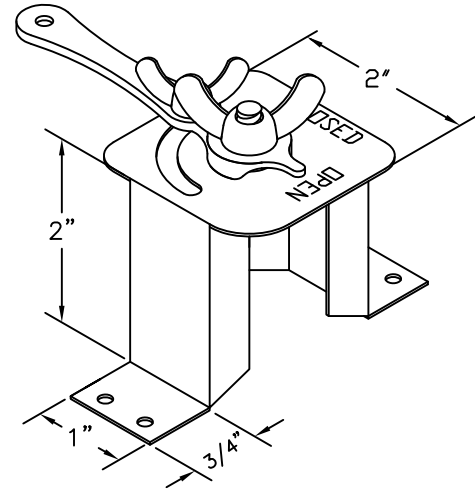
ALL DAMPERS 1/4" UNDER LISTED SIZE UNLESS SPECIFIED "ACTUAL" OR "EXACT".

QUADRANT 1/4" OFFSET TO ALLOW FOR PROPER OPERATION OF BLADES.

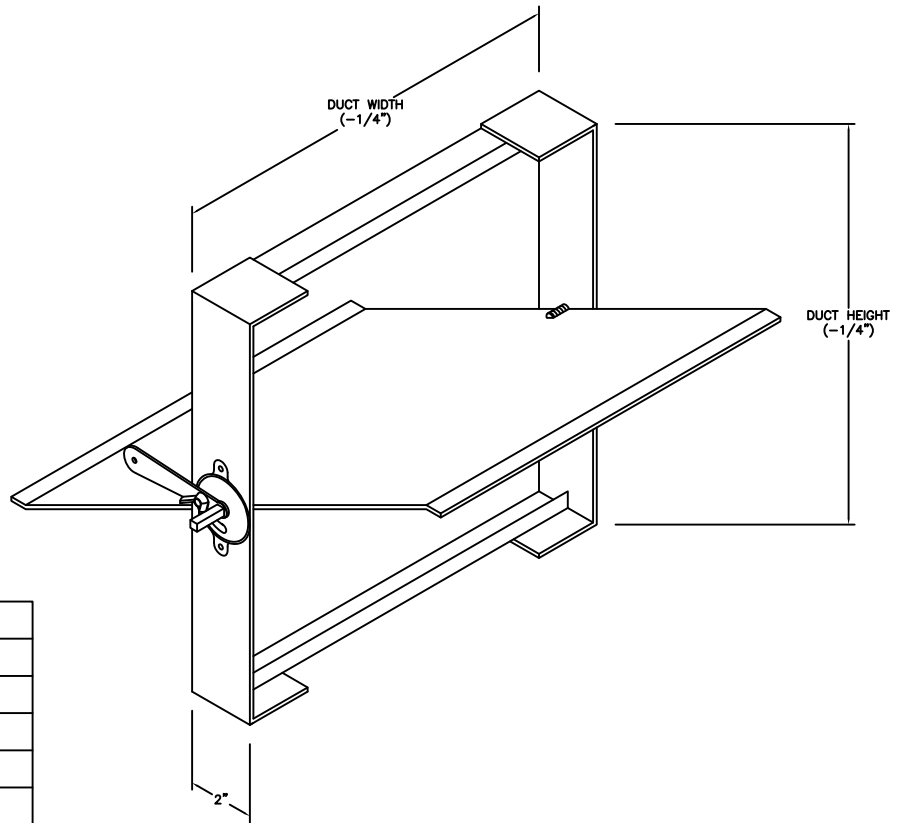
LOCKING QUADRANT INCLUDED AT NO ADDITIONAL PRICE.

OPTIONS: CUSTOM SIZES AVAILABLE

- QUADRANT FACTORY INSTALLED
- QUADRANT TO BE FIELD INSTALLED
- STAND-OFF FACTORY INSTALLED
- STAND-OFF TO BE FIELD INSTALLED



OPTIONAL STAND-OFF



JOB NAME:
LOCATION:
ARCHITECT:
ENGINEER:
CONTRACTOR:
CONTACT MIAMI TECH INC. FOR ADDITIONAL INFORMATION OR WITH SPECIAL REQUIREMENTS. 3611 NW 74TH ST MIAMI, FL 33147 PHONE: 305-693-7054 FAX: 305-693-6152 WEB: WWW.MIAMITECH.COM EMAIL: SALES@MIAMITECH.COM

VD

SINGLE BLADE BALANCING DAMPER
PRODUCT SPECIFICATIONS

NOTE: ALL DRAWINGS SUBJECT TO CHANGE WITHOUT PRIOR NOTICE.

DRAWN BY: AF	DATE: 10/10/07	SCALE: NOT TO SCALE	DRAWING NO. VD
CHECKED BY: IG	DATE: 10/10/07	REVISION: 1	