



STANDARD CONSTRUCTION

MATERIAL:
26 GAUGE ASTM A-653 HOT-DIPPED GALVANIZED
STEEL SHEET

STANDARD SIZES:

MODEL	LENGTH	WIDTH	DIAMETER	GAUGE	QTY.
WSCT10	10"	3 1/4"	4" - 8"	26	1
WSCT12	12"	3 1/4"	4" - 8"	26	1
WSCT14	14"	3 1/4"	4" - 8"	26	1

FEATURES

GALVANIZED STEEL PROVIDES EXCELLENT CORROSION
RESISTANCE AND LONGEVITY.

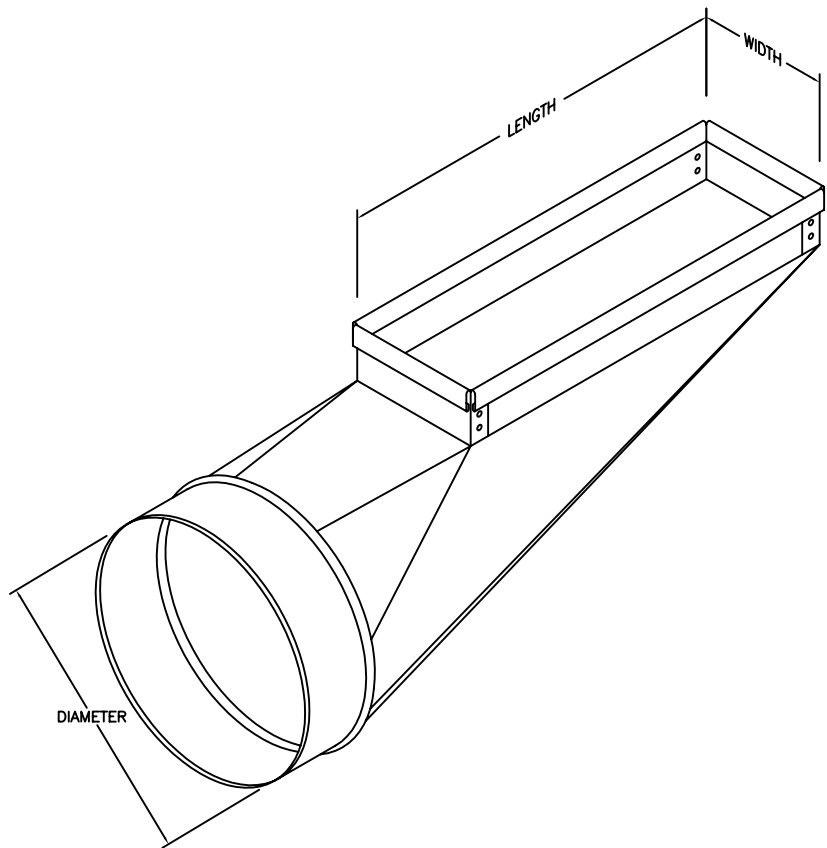
VARIOUS OUTLET PIPE SIZES AVAILABLE
(PLEASE SPECIFY 4", 5", 6", 7" OR 8")

OPTIONS: CUSTOM SIZES AVAILABLE.

TO ORDER

PLACE THE COLLAR DIAMETER YOU REQUIRE AT
THE END OF THE MODEL NUMBER.

E.G.: MODEL WSCT12 WITH A 7" DIAMETER COLLAR
IS ORDERED AS WSCT127.



JOB NAME:
LOCATION:
ARCHITECT:
ENGINEER:
CONTRACTOR:
CONTACT MIAMI TECH INC. FOR ADDITIONAL INFORMATION OR WITH SPECIAL REQUIREMENTS. 3611 NW 74TH ST MIAMI, FL 33147 PHONE: 305-693-7054 FAX: 305-693-6152 WEB: WWW.MIAMITECH.COM EMAIL: SALES@MIAMITECH.COM

WSCT

CENTER-END WALL STACK TRANSITION
PRODUCT SPECIFICATIONS

NOTE: ALL DRAWINGS SUBJECT TO CHANGE WITHOUT PRIOR NOTICE.



DRAWN BY: AF

DATE: 10/31/07

SCALE: NOT TO SCALE

DRAWING NO. WSCT

CHECKED BY: IG

DATE: 10/31/07

REVISION: 1