



STANDARD CONSTRUCTION

MATERIAL:
26 GAUGE ASTM A-653 HOT-DIPPED GALVANIZED
STEEL SHEET

STANDARD SIZES:

MODEL	LENGTH	WIDTH	DIAMETER	GAUGE	QTY.
WSET10	10"	3 1/4"	4" - 8"	26	1
WSET12	12"	3 1/4"	4" - 8"	26	1
WSET14	14"	3 1/4"	4" - 8"	26	1

FEATURES

GALVANIZED STEEL PROVIDES EXCELLENT CORROSION
RESISTANCE AND LONGEVITY.

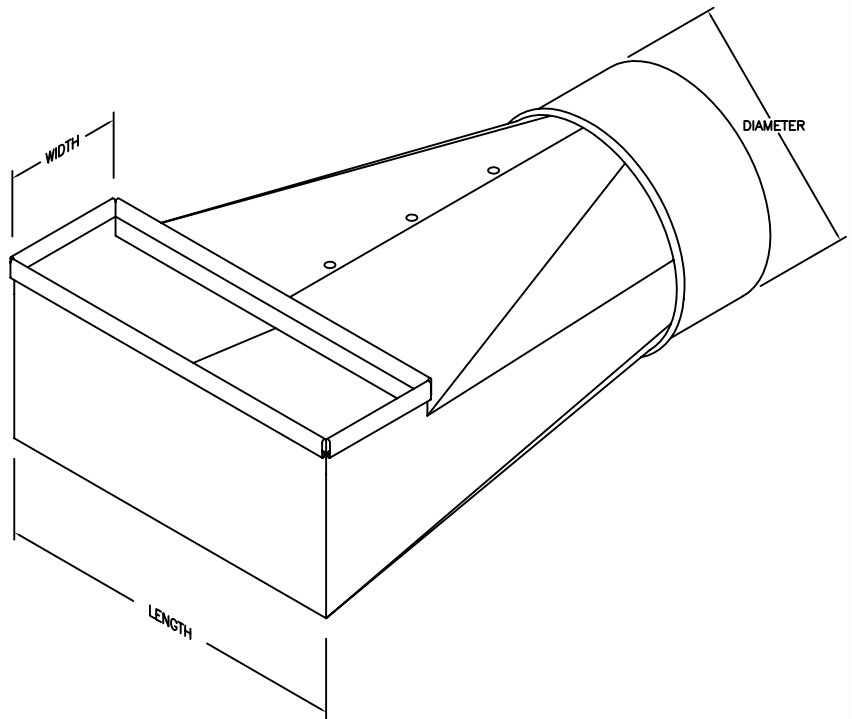
VARIOUS OUTLET PIPE SIZES AVAILABLE.
(PLEASE SPECIFY 4", 5", 6, 7" OR 8"

OPTIONS: CUSTOM SIZES AVAILABLE.

TO ORDER

PLACE THE COLLAR DIAMETER YOU REQUIRE AT
THE END OF THE MODEL NUMBER.

E.G.: MODEL WSET12 WITH A 7" DIAMETER COLLAR
IS ORDERED AS WSET127.



JOB NAME:
LOCATION:
ARCHITECT:
ENGINEER:
CONTRACTOR:
CONTACT MIAMI TECH INC. FOR ADDITIONAL INFORMATION OR WITH SPECIAL REQUIREMENTS. 3611 NW 74TH ST MIAMI, FL 33147 PHONE: 305-693-7054 FAX: 305-693-6152 WEB: WWW.MIAMITECH.COM EMAIL: SALES@MIAMITECH.COM

WSET

WALL STACK ELBOW TRANSITION
PRODUCT SPECIFICATIONS

NOTE: ALL DRAWINGS SUBJECT TO CHANGE WITHOUT PRIOR NOTICE.



DRAWN BY: AF	DATE: 10/31/07	SCALE: NOT TO SCALE
CHECKED BY: IG	DATE: 10/31/07	REVISION: 1

DRAWING NO.
WSET