

160 SW 12TH AVE SUITE 106, DEERFIELD BEACH, FL 33442  
(954) 354-0660 | ENGINEERINGEXPRESS.COM

**THIS DOCUMENT CONTAINS (5) PAGES: THE FIRST PAGE MUST BEAR AN ORIGINAL SIGNATURE & SEAL OF THE CERTIFYING PE TO BE VALID FOR USE**

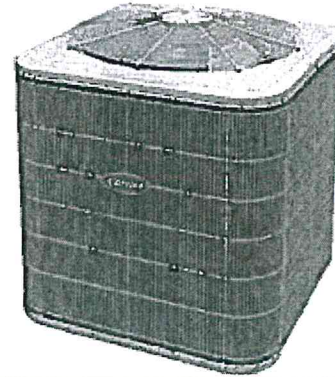
(Issued July 8<sup>th</sup>, 2016 Subject to Renew July 7<sup>th</sup>, 2017)

**EVALUATION SUBJECT: CARRIER SPLIT UNITS**

**TER-16-3190.1**

**REPORT HOLDER:**

CARRIER ENTERPRISE OF FLORIDA  
2000 PARKS OAKS AVE  
ORLANDO, FL 33428 USA  
(954) 247-2003 | FL.CARRIERENTERPRISE.COM



**SCOPE OF EVALUATION (compliance with the following codes):**

**THIS IS A STRUCTURAL (WIND) PERFORMANCE EVALUATION ONLY. NO ELECTRICAL OR TEMPERATURE PERFORMANCE RATINGS OR CERTIFICATIONS ARE OFFERED OR IMPLIED HEREIN.**

This Product Evaluation Report is being issued in accordance with the requirements of the Florida Building Code Fifth Edition (2014) per FBC Section 104.11, FMC 301.15, FBC Building Ch. 16, ASCE-7-10, FBC Existing Building sections 701.1, 706.6.1, FBC Building 1522.2, and FBC Residential M1202.1, M1301.1, FS 471.025, including Broward County Administrative Provisions 107.3.4. The product noted on this report has been tested and/or evaluated as summarized herein.

**IN ACCORDANCE WITH THESE CODES EACH OF THESE REPORTS MUST BEAR THE ORIGINAL SIGNATURE & RAISED SEAL OF THE EVALUATING ENGINEER.**

**SUBSTANTIATING DATA:**

• **Product Evaluation Documents**

Substantiating documentation has been submitted to support this TER and is summarized in the sections that follow.

• **Structural Engineering Calculations**

Structural engineering calculations have been prepared which evaluate the product based on comparative and/or rational analysis to qualify the following design criteria:

- Maximum allowable unit panel wind pressure connection integrity
- Maximum allowable uplift, sliding, & overturning moment for ground and roof applications

Calculation summary for this TER is provided in the forces summary table. No 33% increase in allowable stress has been used in the design of this product. Microsoft Excel was used to carry out the calculations present in this report.

**INSTALLATION:**

The product(s) listed in this report shall be installed in strict compliance with this TER & manufacturer-provided model specifications.

The product components shall be of the material specified in the manufacturer-provided product specifications. All screws must be installed in accordance with the applicable provisions & anchor manufacturer's published installation instructions.

**LIMITATIONS & CONDITIONS OF USE:**

Use of this product shall be in strict accordance with this TER as noted herein. See final page for complete limitations and conditions of use.

**OPTIONS:**

This evaluation is valid for all CARRIER models present in the table located on the final page.

**FINISH:**

Baked enamel.

**NOTE: GRAPHICAL DEPICTIONS IN THIS REPORT ARE FOR ILLUSTRATIVE PURPOSES ONLY. ACTUAL UNITS MAY DIFFER SLIGHTLY IN APPEARANCE.**

**UNIT CASING MATERIAL:**

0.86mm galvanized sheet steel ASTM A653 EDDS cold rolled steel for removable top panel. 1.14mm galvanized sheet steel ASTM A653 EDDS cold rolled steel for base pan. Side protector steel grille ASTM A510 Ø2.03mm vertical wire and Ø2.68mm horizontal wire, secured with #10-16 sheet metal screws into top and base pan.

**INSTALLATION:**

Shall follow manufacturer specifications as well as the information provided herein.

**STRUCTURAL PERFORMANCE:**

Models referenced herein are subject to the following design limitations: ASCE7-10 Exposure Category C, Risk II

Up to and including 175mph (Vult) for up to 200' MRH\*\*. HVHZ\*\*\*

Up to and including 170mph (Vult) for up to 250' MRH\*\*. HVHZ\*\*\*

Up to and including 200mph (Vult) for up to 200' MRH\*\*. Non-HVHZ\*\*\*

Ground or Roof Application per installation instructions

\*\*Mean Roof Height \*\*\*High Velocity Hurricane Zone

**Maximum Rated Wind Pressure:**

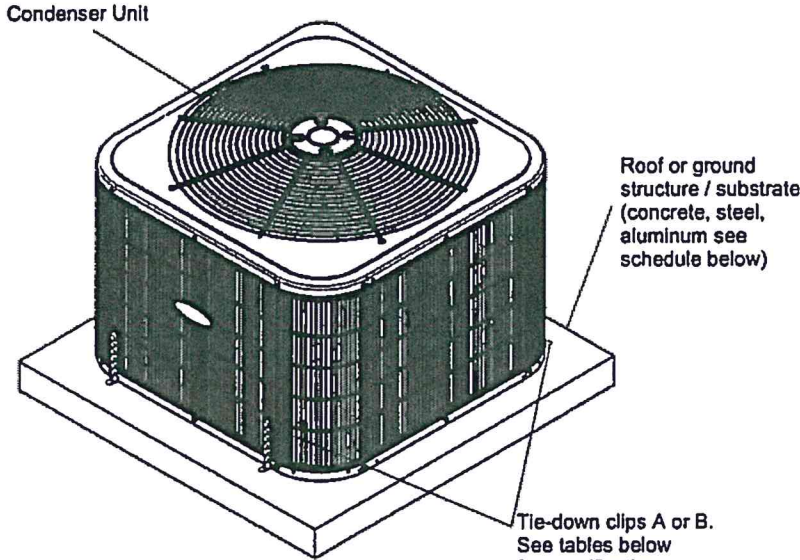
**193psf Lateral, 93psf Uplift** (less Dead Load)

Site specific wind analysis may produce alternate limitations provided maximum rated wind pressure is not exceeded.

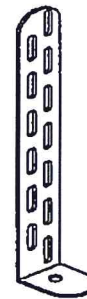
**ORIGINAL SIGNATURE AND RAISED SEAL  
REQUIRED TO BE VALID PER CODE:**



SECTION 2 PRODUCT INSTALLATION



Note: Unit shown for illustration purposes only.



Note: Installers must ensure that screws used to fasten the tie-down clips with the unit base pan do not touch the coil in order to prevent any damage to the coil.

TIE-DOWN CLIP (A)  
(GROUND AND ROOF APPLICATION)

Miami Tech CUTD 1" wide ASTM A653 galvanized steel 0.07" thick of varying length (FL19731.2) or equivalent for all cabinets tied down to a roof structure or ground structure; fasten clip to structure using anchor from Anchor Schedule to Host Structure Table and (2) #10 SS 410 self-drilling screw to fasten clip to unit base pan. Install in unit with quantities shown in Tie-down Strap & Clip Schedule. Locate clips at 3" min away from the appropriate corner using four clips per side (two at each corner) and four clips opposite side in the same configuration. Miami Tech kit # CBCUTD4KG for ground & kit # CBCUTD4KR for roof application.

TIE-DOWN STRAP & CLIP SCHEDULE

Cabinet +	Ground or Roof Height*	Tie-down Strap	Strap	Tie-down Clips per Unit (A)	Tie-down Clips per Unit (B)
Table 1	Ground	NA	NA	8	4
	Up to 60' (80')	2	Required	8	4
	Up to 120' (150')	2	Required	8	4
	Up to 200' (250')	2	Required	8	4
Table 2	Ground	NA	NA	8	4
	Up to 60' (80')	2	Required	8	4
	Up to 120' (150')	2	Required	8	4
	Up to 200' (250')	2	Required	8	4

\*The value shown in parentheses indicates the allowable roof height in 170mph conditions. i.e. 60' (80') indicates an allowable roof height of 60' for 175mph or 80' for 170mph Vult.

+ See tables on last page for cabinet classification.

Note:  
Straps shall be wrapped as shown in details on section 4. The straps shall be tightened to a snug fit around the unit. Straps shall be 1" width and 22ga galvanized metal. For Non-HVHZ, use (2) metal straps, up to 200' MRH. Values shown in table are minimum specified. Using stronger straps per each height is allowed at installer's discretion.

ANCHOR TO HOST STRUCTURE SCHEDULE

Unit Model†	Ground or Roof Height*	Anchor Type		
		Concrete 3,000 Psi	1/8" Min A36 Steel	1/8" Min 6061-T6 Aluminum
Table 1	Ground	A	NA	NA
	Up to 60' (80')	NA	B	B
	Up to 120' (150')	NA	B	B
	Up to 200' (250')	NA	B	B
Table 2	Ground	A	NA	NA
	Up to 60' (80')	NA	B	B
	Up to 120' (150')	NA	B	B
	Up to 200' (250')	NA	B	B

Tie-down Strap & Clip:  
(for roof applications)

- Minimum edge distance 3" from the unit corners.
- Use a minimum of tie-down straps per side equally spaced.
- Clip height shall be adequate to fit SMS within base pan height. Verify height on site.
- Place an adjacent (1) #10 SMS to avoid the straps slip off.

Anchor Types to Host Structure:

A. - 1/4" ELCO ULTRACON SS4 Anchor embedded 1 3/4" in 3,000 psi concrete. 2 1/2" from edge minimum. NOA No. 13-1205.05

B. - 1/4" -20 UNC SAE Grade 5 screw min. 1/2" from edges with nut and washer OD 1"

NA. - No anchors apply.

IN ALL CONDITIONS IT IS THE RESPONSIBILITY OF THE PERMIT HOLDER TO ENSURE THE HOST STRUCTURE IS CAPABLE OF WITHSTANDING THE RATED GRAVITY, LATERAL, AND UPLIFT FORCES BY SITE-SPECIFIC DESIGN. NO WARRANTY OF ANY KIND, EXPRESSED OR IMPLIED, IS OFFERED BY ENGINEERING EXPRESS AS TO THE INTEGRITY OF THE HOST STRUCTURE TO CARRY DESIGN FORCE LOADS INCURRED BY THIS UNIT.

SECTION 3 SUPPORTING CALCULATIONS & SUMMARY

FORCES SUMMARY

Unit Model*	Ground or Roof Height*	Lateral Pressure (Psf)	Uplift Pressure (Psf)	Large Side Force (lbs)	Large Side Overturn (lbs-in)	Large Side Tension (lbs)	Short Side Force (lbs)	Short Side Overturn (lbs-in)	Short Side Tension (lbs)	Uplift Force (lbs)
Table 1	Ground	43.2	0	482.0	11082.0	315.0	482.0	11082.0	315.0	0.0
	Up to 60' (80')	151.2	73.1	1688.0	49656.0	1519.0	1688.0	49656.0	1519.0	622.0
	Up to 120' (150')	173.8	84.1	1940.0	57082.3	1753.0	1940.0	57082.3	1753.0	715.0
	Up to 200' (250')	193.0	93.4	2155.0	63393.3	1951.0	2155.0	63393.3	1951.0	794.0
Table 2	Ground	43.2	0	482.0	11082.0	315.0	482.0	11082.0	315.0	0.0
	Up to 60' (80')	151.2	73.1	1688.0	49656.0	1519.0	1688.0	49656.0	1519.0	622.0
	Up to 120' (150')	173.8	84.1	1940.0	57082.3	1753.0	1940.0	57082.3	1753.0	715.0
	Up to 200' (250')	193.0	93.4	2155.0	63393.3	1951.0	2155.0	63393.3	1951.0	794.0

Calculations performed according to the information provided by the client. Cabinets were assumed solid (0% porosity) for shear and tension calculation purposes.

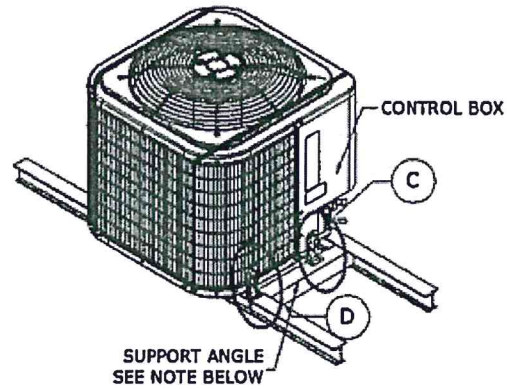
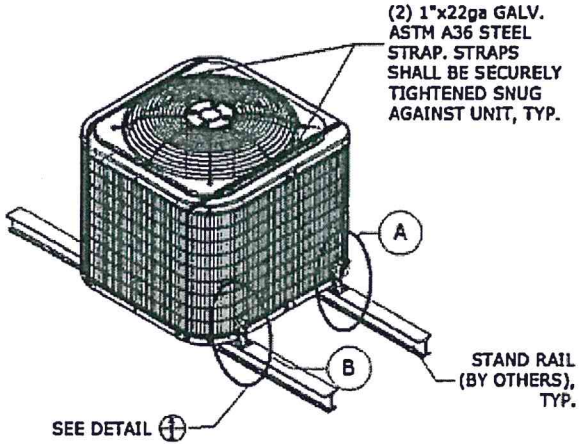
PANEL INTEGRITY SUMMARY

Unit Model*	Ground or Roof Height*	Panel Name	Applied Wind Pressure (lb/ft²)	Force on Panel (lbs)	Add'l Screw Qty Needed (pcs)	Additional reinforcement required beyond original manufacturing
Table 1	Ground	TOP PANEL	0.0	0.0	-	No
		CONTROL COVER	43.2	50.4	-	
		SERVICE PANEL	43.2	91.4	-	
	Up to 60' (80')	TOP PANEL	73.1	621.9	-	No
		CONTROL COVER	151.2	176.5	-	
		SERVICE PANEL	151.2	319.9	-	
	Up to 120' (150')	TOP PANEL	84.1	715.4	-	No
		CONTROL COVER	173.8	202.9	-	
		SERVICE PANEL	173.8	367.7	-	
	Up to 200' (250')	TOP PANEL	93.4	794.5	-	No
		CONTROL COVER	193.0	225.3	-	
		SERVICE PANEL	193.0	408.4	-	
Table 2	Ground	TOP PANEL	0.0	0.0	-	No
		CONTROL COVER	43.2	50.4	-	
		SERVICE PANEL	43.2	91.4	-	
	Up to 60' (80')	TOP PANEL	73.1	621.9	-	No
		CONTROL COVER	151.2	176.5	-	
		SERVICE PANEL	151.2	319.9	-	
	Up to 120' (150')	TOP PANEL	84.1	715.4	-	No
		CONTROL COVER	173.8	202.9	-	
		SERVICE PANEL	173.8	367.7	-	
	Up to 200' (250')	TOP PANEL	93.4	794.5	-	No
		CONTROL COVER	193.0	225.3	-	
		SERVICE PANEL	193.0	408.4	-	

\*The value shown in parentheses indicates the allowable roof height in 170mph conditions. I.e. 80' (80') indicates an allowable roof height of 80' for 175mph or 80' for 170mph Vult.

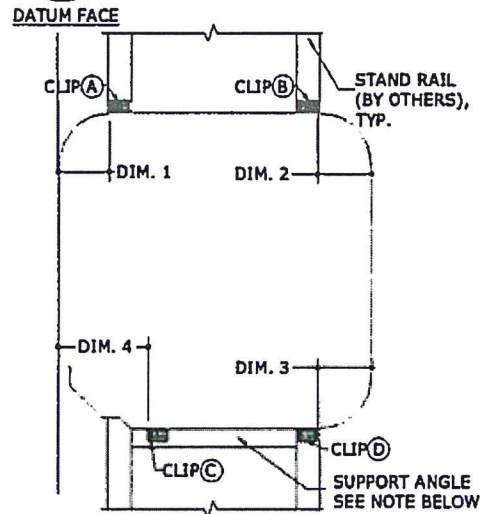
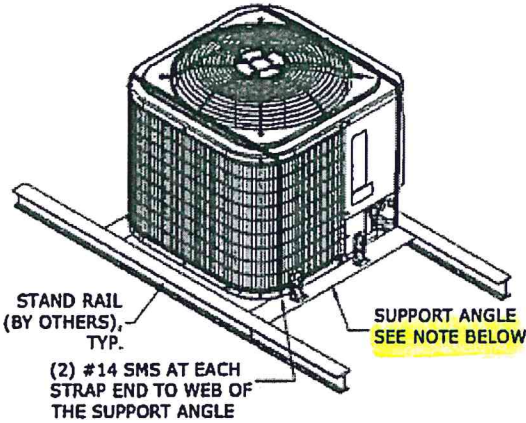
\*See tables on sheet 5 for cabinet classification.

SECTION 4 DETAILS



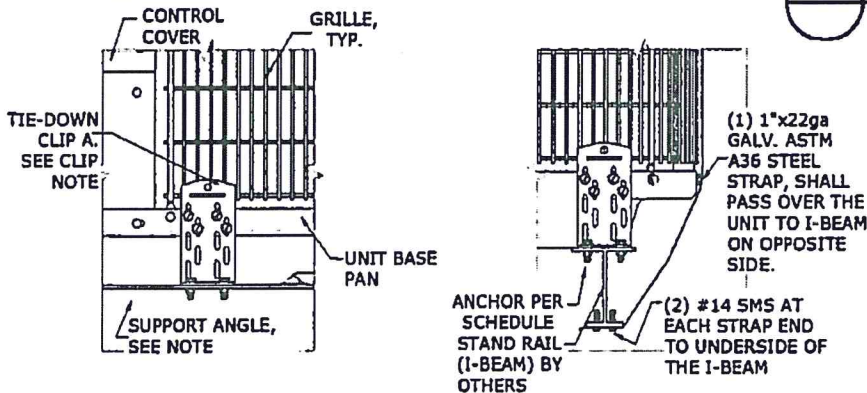
1 MECHANICAL UNIT  
N.T.S. FRONT ISOMETRIC

2 MECHANICAL UNIT  
N.T.S. BACK ISOMETRIC



3 MECHANICAL UNIT  
N.T.S. FRONT ISOMETRIC

4 TIE-DOWN CLIP LAYOUT  
N.T.S. PLAN



TIE-DOWN CLIP OFFSETS:

DIM. 1	5.00" MAX OFFSET FROM DATUM FACE
DIM. 2	5.00" MAX OFFSET FROM OPPOSITE FACE
DIM. 3	5.00" MAX OFFSET FROM OPPOSITE FACE
DIM. 4	10" MAX OFFSET FROM DATUM FACE

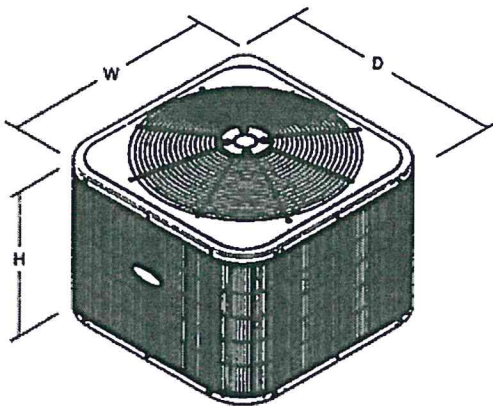
5 TIE-DOWN CLIPS & STRAPS  
N.T.S. ELEVATION

Note: Miami Tech support angle part number CBCAB30K, CBCAB42K, under NOA #16-0601.01 or equivalent is permitted.

CABINETS & DIMENSIONS

UNIT MODEL	WIDTH (in)	DEPTH (in)	HEIGHT (in)	WEIGHT (lbs)
CH14**018	23.13	23.13	35.25	136
CH14**024	25.75	25.75	35.25	144
CH14**030	31.19	31.19	31.81	158
CH14**036	31.19	31.19	28.44	170
CH14**042	31.19	31.19	39.13	201
CH14**048	31.19	31.19	28.44	197
CH14**060	31.19	31.19	31.81	212
CA16**18	31.19	31.19	28.44	142
CA16**24	31.19	31.19	28.44	142
CA16**30	31.19	31.19	31.81	150
CA16**36	35.00	35.00	28.44	165
CA16**42	35.00	35.00	39.13	213
CA16**48	35.00	35.00	39.13	264
CA16**60	35.00	35.00	45.94	272
CA14**18	23.13	23.13	24.81	123
CA14**24	25.75	25.75	25.00	119
CA14**30	31.19	31.19	31.81	151
CA14**36	31.19	31.19	24.81	134
CA14**42	31.19	31.19	39.13	192
CA14**48	31.19	31.19	28.44	182
CA14**60	31.19	31.19	31.81	197

UNIT MODEL	WIDTH (in)	DEPTH (in)	HEIGHT (in)	WEIGHT (lbs)
25HB*518	31.19	31.19	28.94	169
25HB*524	35.00	35.00	32.31	200
25HB*530	35.00	35.00	32.31	196
25HB*536	35.00	35.00	35.75	215
25HB*542	35.00	35.00	28.94	245
25HB*548	35.00	35.00	28.94	260
25HB*560	35.00	35.00	39.13	294
25HC*418	23.13	23.13	35.25	136
25HC*424	25.75	25.75	38.50	144
25HC*430	31.19	31.19	31.81	158
25HC*436	31.19	31.19	28.44	170
25HC*442	31.19	31.19	39.13	201
25HC*448	31.19	31.19	28.44	197
25HC*460	31.19	31.19	31.81	212
24AB*618	23.13	23.13	28.69	125
24AB*624	31.19	31.19	28.31	147
24AB*630	31.19	31.19	32.31	153
24AB*636	35.00	35.00	28.31	165
24AB*642	35.00	35.00	39.13	213
24AB*648	35.00	35.00	32.31	264
24AB*649	35.00	35.00	39.13	231
24AB*660	35.00	35.00	45.94	272
24AB*661	35.00	35.00	45.94	272
24AC*418	23.13	23.13	24.81	123
24AC*424	25.75	25.75	25.00	119
24AC*430	31.19	31.19	31.81	151
24AC*436	31.19	31.19	24.81	134
24AC*442	31.19	31.19	39.13	192
24AC*448	31.19	31.19	28.44	182
24AC*460	31.19	31.19	31.81	197

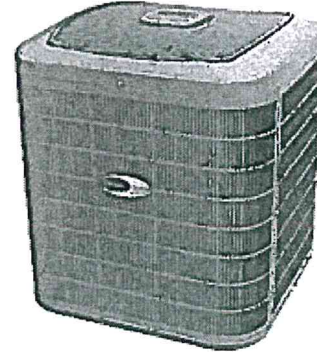


Note: Image is not to scale and is for illustration purposes only. Actual units may differ slightly in appearance.

**LIMITATIONS & CONDITIONS OF USE:**

Use of this product shall be in strict accordance with this TER as noted herein. The supporting host structure shall be designed to resist all superimposed loads as determined by others on a site specific basis as may be required by the Authority Having Jurisdiction. Host structure conditions which are not accounted for in this product's respective anchor schedule shall be designed on a site-specific basis by a registered professional engineer. No evaluation is offered for the host supporting structure by use of this document; Adjustment factors noted herein and the applicable codes must be considered, where applicable. All supporting components which are permanently installed shall be protected against corrosion, contamination, and other such damage at all times. Fasteners must penetrate the supporting members such that the full length of the threaded portion is embedded within the main member. All anchors, screws, straps, clips, and attachment part can be substituted for equivalent parts, as long as the capacities of the equivalent parts are equal or stronger. This evaluation does not offer any evaluation to meet large missile impact debris requirements which typically are not required for this type of product. All of the wind resisting exterior panels, individually meet or exceed their capacity to resist the design wind loads as stated in the calculations as required by the Florida Building Code Fifth Edition (2014). Due to the indeterminate nature of these units, distortion and deflection cannot be accurately evaluated, but with diaphragm action of external components and internal stiffeners, the base unit has the capacity to withstand these forces with individual external parts being contained. Yearly inspections, during equipment maintenance or after a named storm, all screws, cabinet components, clips, anchor, bolts, straps and cables are to be verified by the A/C contractor. All damaged cabinet components, loose, corroded, broken screws or anchor bolts shall be replaced to ensure structural integrity for hurricane wind forces.

**REPORT HOLDER:**  
CARRIER ENTERPRISE OF FLORIDA  
2000 PARKS OAKS AVE  
ORLANDO, FL 33428 USA  
(954) 247-2003 | FL.CARRIERENTERPRISE.COM



**SCOPE OF EVALUATION** (compliance with the following codes):

**THIS IS A STRUCTURAL (WIND) PERFORMANCE EVALUATION ONLY. NO ELECTRICAL OR TEMPERATURE PERFORMANCE RATINGS OR CERTIFICATIONS ARE OFFERED OR IMPLIED HEREIN.**

This Product Evaluation Report is being issued in accordance with the requirements of the Florida Building Code Fifth Edition (2014) per FBC Section 104.11, FMC 301.15, FBC Building Ch. 16, ASCE-7-10, FBC Existing Building sections 701.1, 706.6.1, FBC Building 1522.2, and FBC Residential M1202.1, M1301.1, FS 471.025, including Broward County Administrative Provisions 107.3.4. The product noted on this report has been tested and/or evaluated as summarized herein.

**IN ACCORDANCE WITH THESE CODES EACH OF THESE REPORTS MUST BEAR THE ORIGINAL SIGNATURE & RAISED SEAL OF THE EVALUATING ENGINEER.**

**SUBSTANTIATING DATA:**

• **Product Evaluation Documents**  
Substantiating documentation has been submitted to support this TER and is summarized in the sections that follow.

• **Structural Engineering Calculations**  
Structural engineering calculations have been prepared which evaluate the product based on comparative and/or rational analysis to qualify the following design criteria:

- Maximum allowable unit panel wind pressure connection integrity
- Maximum allowable uplift, sliding, & overturning moment for ground and roof applications

Calculation summary for this TER is provided in the forces summary table. No 33% increase in allowable stress has been used in the design of this product. Microsoft Excel was used to carry out the calculations present in this report.

**INSTALLATION:**

The product(s) listed in this report shall be installed in strict compliance with this TER & manufacturer-provided model specifications. The product components shall be of the material specified in the manufacturer-provided product specifications. All screws must be installed in accordance with the applicable provisions & anchor manufacturer's published installation instructions.

**LIMITATIONS & CONDITIONS OF USE:**

Use of this product shall be in strict accordance with this TER as noted herein. See final page for complete limitations and conditions of use.

**OPTIONS:**

This evaluation is valid for all CARRIER models present in the table located on the final page.

**FINISH:**

Baked enamel.

**NOTE:** GRAPHICAL DEPICTIONS IN THIS REPORT ARE FOR ILLUSTRATIVE PURPOSES ONLY. ACTUAL UNITS MAY DIFFER SLIGHTLY IN APPEARANCE.

**UNIT CASING MATERIAL:**

0.86mm galvanized sheet steel ASTM A653 EDDS cold rolled steel for removable top panel. 1.14mm galvanized sheet steel ASTM A653 EDDS cold rolled steel for base pan. 0.86mm galvanized steel sheet ASTM A653 for side protector louvers, secured with #10-16 sheet metal screws into top and base pan.

**INSTALLATION:**

Shall follow manufacturer specifications as well as the information provided herein.

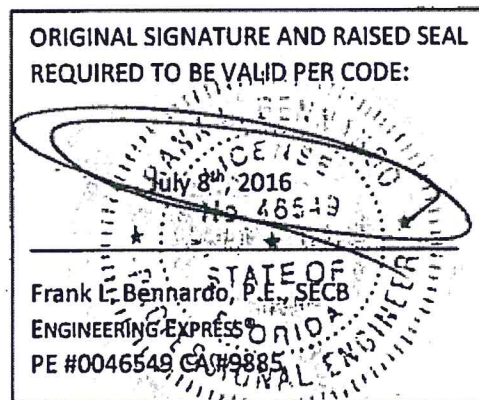
**STRUCTURAL PERFORMANCE:**

Models referenced herein are subject to the following design limitations:  
ASCE7-10 Exposure Category C, Risk II  
Up to and including 175mph (Vult) for up to 200' MRH\*\*. HVHZ\*\*\*  
Up to and including 170mph (Vult) for up to 250' MRH\*\*. HVHZ\*\*\*  
Up to and including 200mph (Vult) for up to 200' MRH\*\*. Non-HVHZ\*\*\*  
Ground or Roof Application per installation instructions  
\*\*Mean Roof Height \*\*\*High Velocity Hurricane Zone

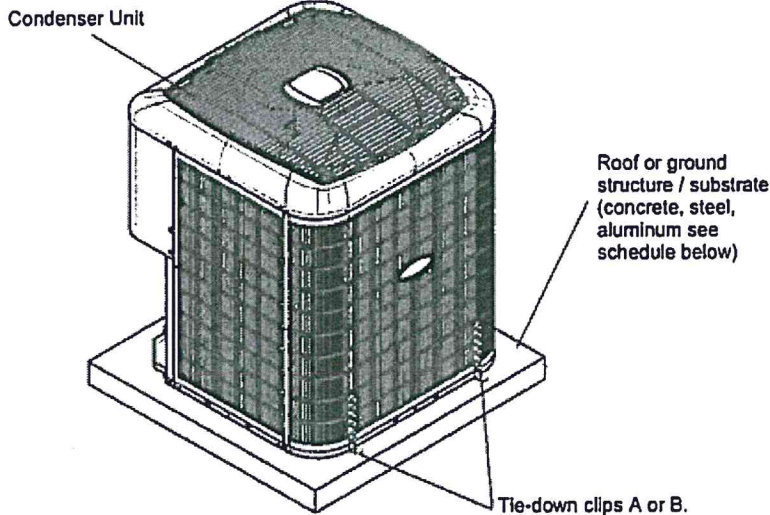
**Maximum Rated Wind Pressure:**

**193psf Lateral, 93psf Uplift** (less Dead Load)

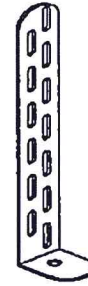
Site specific wind analysis may produce alternate limitations provided maximum rated wind pressure is not exceeded.



SECTION 2 PRODUCT INSTALLATION



Note: Unit shown for illustration purposes only.



Note: Installers must ensure that screws used to fasten the tie-down clips with the unit base pan do not touch the coil in order to prevent any damage to the coil.

TIE-DOWN CLIP (A)  
(GROUND AND ROOF APPLICATION)

Miami Tech CUTD 1" wide ASTM A653 galvanized steel 0.07" thick of varying length (FL19731.2) or equivalent for all cabinets tied down to a roof structure or ground structure; fasten clip to structure using anchor from Anchor Schedule to Host Structure Table and (2) #10 SS 410 self-drilling screw to fasten clip to unit base pan. Install in unit with quantities shown in Tie-down Strap & Clip Schedule. Locate clips at 3" min away from the appropriate corner using four clips per side (two at each corner) and four clips opposite side in the same configuration. Miami Tech kit # CBCUTD4KG for ground & kit # CBCUTD4KR for roof application.

TIE-DOWN STRAP & CLIP SCHEDULE

Cabinet <sup>+</sup>	Ground or Roof Height*	Tie-down Strap on unit	Tie-down Clips per Unit (A)	Tie-down Clips per Unit (B)
Mini	Ground	NA	8	4
			8	4
Small	Up to 200' (250')	2	8	4
			8	4
Medium				
Large				

\*The value shown in parentheses indicates the allowable roof height in 170mph conditions. I.e. 60' (80') indicates an allowable roof height of 60' for 175mph or 80' for 170mph Vuit.

+ See tables on last page for cabinet classification and model numbers.

Note: Straps shall be wrapped as shown in details on section 4. The straps shall be tightened to a snug fit around the unit. Straps shall be 1" width and 22ga galvanized metal. For Non-HVHZ, use (2) metal straps, up to 200' MRH. Values shown in table are minimum specified. Using stronger straps per each height is allowed at installer's discretion.

ANCHOR TO HOST STRUCTURE SCHEDULE

Cabinet <sup>+</sup>	Ground or Roof Height*	Anchor Type		
		Concrete 3,000 Psi	1/8" Min A36 Steel	1/8" Min 6061-T6 Aluminum
Mini	Ground	A	NA	NA
Small	Up to 200' (250')	NA	B	B
Medium				
Large				

Tie-down Strap & Clip:  
(for roof applications)

- Minimum edge distance 3" from the unit corners.
- Use a minimum of tie-down straps per side equally spaced.
- Clip height shall be adequate to fit SMS within base pan height. Verify height on site.
- Place an adjacent (1) #10 SMS to avoid the straps slip off.

Anchor Types to Host Structure:

A. - 1/4" ELCO ULTRACON SS4 Anchor embedded 1 3/4" in 3,000 psi concrete. 2 1/2" from edge minimum. NOA No. 13-1205.05

B. - 1/4" -20 UNC SAE Grade 5 screw min. 1/2" from edges with nut and washer OD 1"

NA. - No anchors apply.

IN ALL CONDITIONS IT IS THE RESPONSIBILITY OF THE PERMIT HOLDER TO ENSURE THE HOST STRUCTURE IS CAPABLE OF WITHSTANDING THE RATED GRAVITY, LATERAL, AND UPLIFT FORCES BY SITE-SPECIFIC DESIGN. NO WARRANTY OF ANY KIND, EXPRESSED OR IMPLIED, IS OFFERED BY ENGINEERING EXPRESS AS TO THE INTEGRITY OF THE HOST STRUCTURE TO CARRY DESIGN FORCE LOADS INCURRED BY THIS UNIT.

SECTION 3 SUPPORTING CALCULATIONS & SUMMARY

FORCES SUMMARY

Cabinet*	Ground or Roof Height*	Lateral Pressure (Psf)	Uplift Pressure (Psf)	Large Side Force (lbs)	Large Side Overturn (lbs-in)	Large Side Tension (lbs)	Short Side Force (lbs)	Short Side Overturn (lbs-in)	Short Side Tension (lbs)	Uplift Force (lbs)
Mini	Ground	44.1	0	272.0	5236.0	226.5	272.0	5236.0	226.5	0.0
	Up to 200' (250')	193.0	93.4	1191.0	26897.0	1163.1	1191.0	26897.0	1163.1	347.0
Small	Ground	44.1	0	235.8	3383.3	131.1	227.0	3257.0	121.5	0.0
	Up to 200' (250')	193.0	93.4	1030.9	14793.2	573.4	992.4	14241.3	531.4	421.6
Medium	Ground	44.1	0	498.0	11818.0	337.7	498.0	11818.0	337.7	0.0
Large	Up to 200' (250')	193.0	93.4	2225.0	66678.2	1905.1	2225.0	66678.2	1905.1	794.0

Calculations performed according to the information provided by the client. Cabinets were assumed solid (0% porosity) for shear and tension calculation purposes.

PANEL INTEGRITY SUMMARY

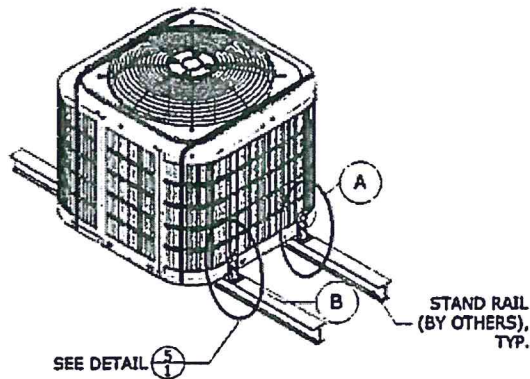
Cabinet*	Ground or Roof Height*	Panel Name	Required Wind Pressure (lb/ft²)	Force on Panel (lbs)	Additional Screw Qty Needed (pcs)	Additional reinforcement required beyond original manufacturing
Mini	Ground	TOP PANEL	0.0	0.0	-	No
		LOUVER 1	44.1	240.1	-	
		LOUVER 2	44.1	178.3	-	
		CONTROL COVER	44.1	63.5	-	
	Up to 200' (250')	TOP PANEL	93.4	346.5	-	No
		LOUVER 1	193.0	1049.9	-	
		LOUVER 2	193.0	779.7	-	
Small	Ground	TOP PANEL	0.0	0.0	-	No
		LOUVER 1	44.1	235.3	-	
		LOUVER 2	44.1	197.9	-	
		LOUVER 3	44.1	184.7	-	
	Up to 200' (250')	CONTROL COVER	44.1	63.5	-	Yes
		TOP PANEL	93.4	421.6	0	
		LOUVER 1	193.0	1029.0	2	
		LOUVER 2	193.0	865.5	2	
		LOUVER 3	193.0	807.8	2	
		CONTROL COVER	193.0	277.4	0	
Medium Large	Ground	TOP PANEL	0.0	0.0	-	No
		LOUVER 1	44.1	436.6	-	
		LOUVER 2	44.1	362.7	-	
		LOUVER 3	44.1	212.6	-	
		LOUVER 4	44.1	243.9	-	
		CONTROL COVER	44.1	63.5	-	
	Up to 200' (250')	TOP PANEL	93.4	794.5	0	Yes
		LOUVER 1	193.0	1909.0	2	
		LOUVER 2	193.0	1585.8	2	
		LOUVER 3	193.0	929.6	3	
		LOUVER 4	193.0	1066.3	3	
		CONTROL COVER	193.0	277.4	0	

\*The value shown in parentheses indicates the allowable roof height in 170mph conditions. I.e. 60' (80') indicates an allowable roof height of 60' for 175mph or 80' for 170mph Vult.

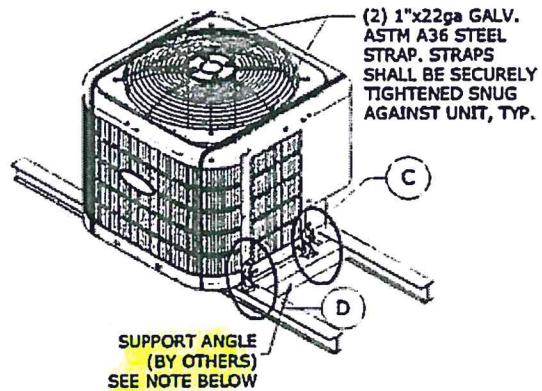
\*See tables on last page for cabinet classification and model numbers.



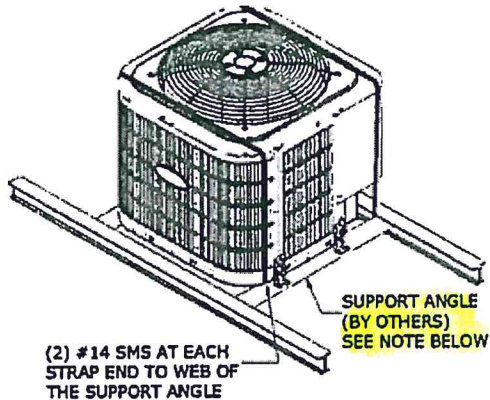
SECTION 4 DETAILS



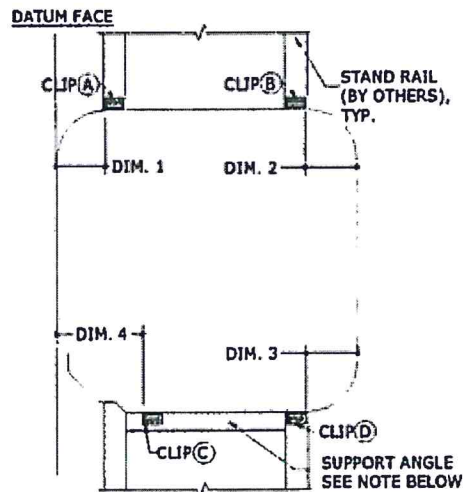
1 MECHANICAL UNIT  
1 N.T.S. BACK ISOMETRIC



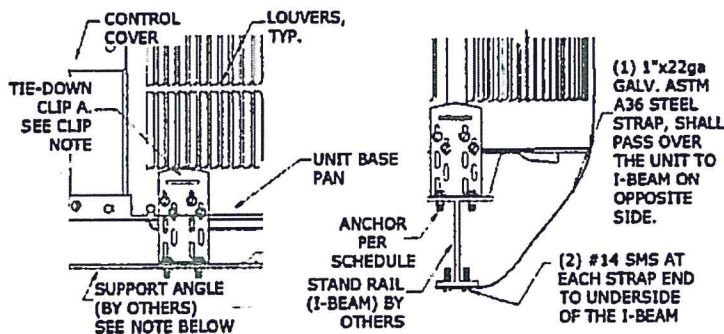
2 MECHANICAL UNIT  
1 N.T.S. FRONT ISOMETRIC



3 MECHANICAL UNIT  
1 N.T.S. FRONT ISOMETRIC



4 TIE-DOWN CLIP LAYOUT  
N.T.S. PLAN



5 TIE-DOWN CLIPS & STRAPS  
1 N.T.S. ELEVATION VIEW

TIE-DOWN CLIP OFFSETS:

DIM. 1	5.00" MAX OFFSET FROM DATUM FACE
DIM. 2	5.00" MAX OFFSET FROM OPPOSITE FACE
DIM. 3	5.00" MAX OFFSET FROM OPPOSITE FACE
DIM. 4	10" MAX OFFSET FROM DATUM FACE

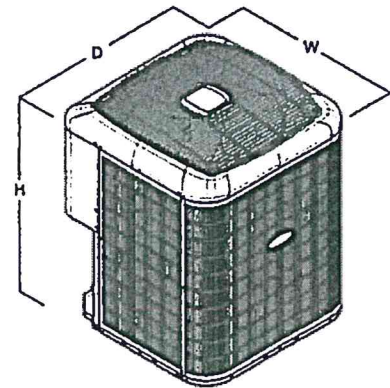
Note:

- Miami Tech support angle part number CBCAB30K, CBCAB42K, under NOA #16-0601.01 or equivalent is permitted.
- Louver panels that are not being contained by the straps or clips shall be reinforced with screws of similar size and strength as existing in unit; amount of screws required are dictated by panel integrity table. Place screw at the bottom part of the louver, joining the louver with the base pan.

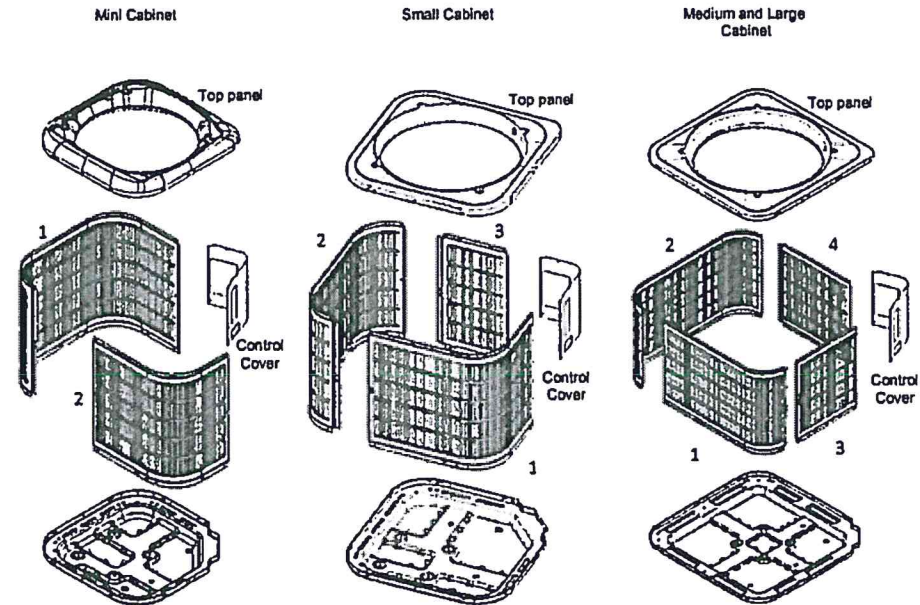
CABINETS & DIMENSIONS

Cabinet	Unit Model	Width (in)	Depth (in)	Height (in)
Large	25VNA024	35.00	35.00	44.00
Large	25VNA036	35.00	35.00	44.00
Large	25VNA048	35.00	35.00	44.00
Large	25VNA060	35.00	35.00	44.00
Mini	25VNA813	23.13	23.13	31.63
Mini	25VNA824	23.13	23.13	31.63
Mini	25VNA825	23.13	23.13	38.44
Mini	25VNA836	23.13	23.13	31.63
Medium	25VNA837	31.19	31.19	39.75
Medium	25VNA848	31.19	31.19	38.44
Medium	25VNA860	31.19	31.19	43.19
Large	25HNB924	35.00	35.00	40.63
Large	25HNB936	35.00	35.00	44.06
Large	25HNB948	35.00	35.00	47.44
Large	25HNB960	35.00	35.00	47.44
Large	25HNB624	35.00	35.00	40.63
Large	25HNB636	35.00	35.00	40.63
Large	25HNB648	35.00	35.00	40.63
Large	25HNB660	35.00	35.00	47.44
Medium	25HNB518	31.19	31.19	29.56
Large	25HNB524	35.00	35.00	33.88
Large	25HNB530	35.00	35.00	37.25
Large	25HNB536	35.00	35.00	37.25
Large	25HNB542	35.00	35.00	30.44
Large	25HNB548	35.00	35.00	33.88
Large	25HNB560	35.00	35.00	40.63
Mini	24VNA913	23.13	23.13	31.63
Mini	24VNA924	23.13	23.13	31.63
Mini	24VNA925	23.13	23.13	38.44
Mini	24VNA936	23.13	23.13	38.44
Medium	24VNA937	31.19	31.19	39.75
Medium	24VNA948	31.19	31.19	39.75
Large	24VNA949	35.00	35.00	44.00
Medium	24VNA960	31.19	31.19	43.19
Large	24ANB124	35.00	35.00	40.63
Large	24ANB136	35.00	35.00	47.44
Large	24ANB148	35.00	35.00	47.44
Large	24ANB160	35.00	35.00	47.44
Medium	24ANB724	31.19	31.19	36.38
Medium	24ANB736	31.19	31.19	36.38
Large	24ANB748	35.00	35.00	40.63
Large	24ANB760	35.00	35.00	40.63
Medium	24ANB618	31.19	31.19	29.56
Medium	24ANB624	31.19	31.19	29.05
Medium	24ANB630	31.19	31.19	32.94
Large	24ANB636	35.00	35.00	30.44
Large	24ANB642	35.00	35.00	40.63
Large	24ANB648	35.00	35.00	40.63
Large	24ANB660	35.00	35.00	47.44

Cabinet	Unit Model	Width (in)	Depth (in)	Height (in)
Large	25HCB624	35.00	35.00	39.13
Large	25HCB636	35.00	35.00	39.13
Large	25HCB648	35.00	35.00	39.13
Large	25HCB660	35.00	35.00	45.94
Medium	25HCC518	31.19	31.19	28.94
Large	25HCC524	35.00	35.00	32.31
Large	25HCC530	35.00	35.00	32.31
Large	25HCC536	35.00	35.00	35.75
Large	25HCC542	35.00	35.00	28.94
Large	25HCC548	35.00	35.00	28.94
Large	25HCC560	35.00	35.00	39.13
Medium	24ACB724	31.19	31.19	35.75
Medium	24ACB736	31.19	31.19	35.75
Large	24ACB748	35.00	35.00	39.13
Large	24ACB760	35.00	35.00	45.88
Small	24ACC618	25.75	26.75	28.69
Medium	24ACC624	31.16	32.16	28.31
Medium	24ACC630	31.19	31.19	32.31
Large	24ACC636	35.00	35.00	28.31
Large	24ACC642	35.00	35.00	39.13
Large	24ACC648	35.00	35.00	32.31
Large	24ACC660	35.00	35.00	45.94



Note: Image is not to scale and is for illustration purposes only. Actual units may differ slightly in appearance.



LIMITATIONS & CONDITIONS OF USE:

Use of this product shall be in strict accordance with this TER as noted herein. The supporting host structure shall be designed to resist all superimposed loads as determined by others on a site specific basis as may be required by the Authority Having Jurisdiction. Host structure conditions which are not accounted for in this product's respective anchor schedule shall be designed on a site-specific basis by a registered professional engineer. No evaluation is offered for the host supporting structure by use of this document; Adjustment factors noted herein and the applicable codes must be considered, where applicable. All supporting components which are permanently installed shall be protected against corrosion, contamination, and other such damage at all times. Fasteners must penetrate the supporting members such that the full length of the threaded portion is embedded within the main member. All anchors, screws, straps, clips, and attachment part can be substituted for equivalent parts, as long as the capacities of the equivalent parts are equal or stronger. This evaluation does not offer any evaluation to meet large missile impact debris requirements which typically are not required for this type of product. All of the wind resisting exterior panels, individually meet or exceed their capacity to resist the design wind loads as stated in the calculations as required by the Florida Building Code Fifth Edition (2014). Due to the indeterminate nature of these units, distortion and deflection cannot be accurately evaluated, but with diaphragm action of external components and internal stiffeners, the base unit has the capacity to withstand these forces with individual external parts being contained. Yearly inspections, during equipment maintenance or after a named storm; all screws, cabinet components, clips, anchor, bolts, straps and cables are to be verified by the A/C contractor. All damaged cabinet components, loose, corroded, broken screws or anchor bolts shall be replaced to ensure structural integrity for hurricane wind forces.