



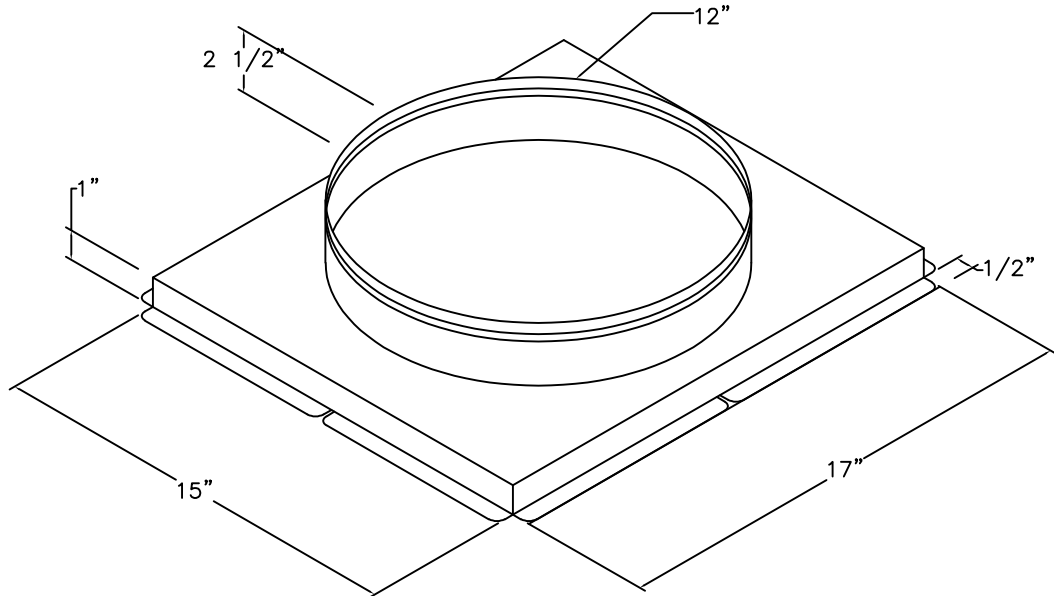
STANDARD CONSTRUCTION

26 GAUGE ASTM A-653 HOT -DIPPED GALVANIZED STEEL

COLLAR: 26 GAUGE HOT DIPPED GALVANIZED STEEL

INSULATION:
1"-R4 BLACK DIFFUSER BOARD

OPTIONS:
CUSTOM SIZES AVAILABLE



FEATURES

COLLAR INSTALLED WITH EXPANSION LOCK AND SEALED TIGHT WITH ADHESIVE.

BLACK DIFFUSER BOARD COATED WITH EPA-REGISTERED, ANTI-MICROBIAL, PROTECTIVE ACRYLIC AGENT ALONG AIR STREAM SIDE.

SUPPLY/RETURN SOLD SEPARATELY.

JOB NAME:
LOCATION:
ARCHITECT:
ENGINEER:
CONTRACTOR:
CONTACT MIAMI TECH INC. FOR ADDITIONAL INFORMATION OR WITH SPECIAL REQUIREMENTS.
3611 NW 74TH ST MIAMI, FL 33147 PHONE: 305-693-7054 FAX: 305-693-6152
WEB: WWW.MIAMITECH.COM EMAIL: SALES@MIAMITECH.COM

JCITCPU12

**JCI/YORK TAKE-OFF COLLAR FOR PACKAGE-UNIT
PRODUCT SPECIFICATIONS**

NOTE: ALL DRAWINGS SUBJECT TO CHANGE WITHOUT PRIOR NOTICE.



DRAWN BY: MR	DATE: 7/13/23	SCALE: NOT TO SCALE
CHECKED BY: IG	DATE: 7/13/23	REVISION: -

DRAWING NO.
JCITCPU12